

## SECTION 4 CHARTS AND DIAGRAMS

### ■ SCHEMATIC DIAGRAM NOTES

- **Schematic safety precaution**  
 △ Parts are safety related parts.  
 When replacing them, be sure to use the specified parts.
- **Voltage and waveform measurements**  
 Voltage: Measured with digital voltmeter in DC range;  
 iris closed in REC mode.  
 Value in ( ) is indicated only in the case PB  
 voltage is different from that in REC mode.  
 Waveform: Gray scale illuminated at more than 4000 lux at  
 3200K lighting.
- **Unit of value**  
 Unless otherwise specified  
 1) Resistance is in Ω (1/6 W)  
 2) Capacitance is in μF  
 3) Inductance is in μH

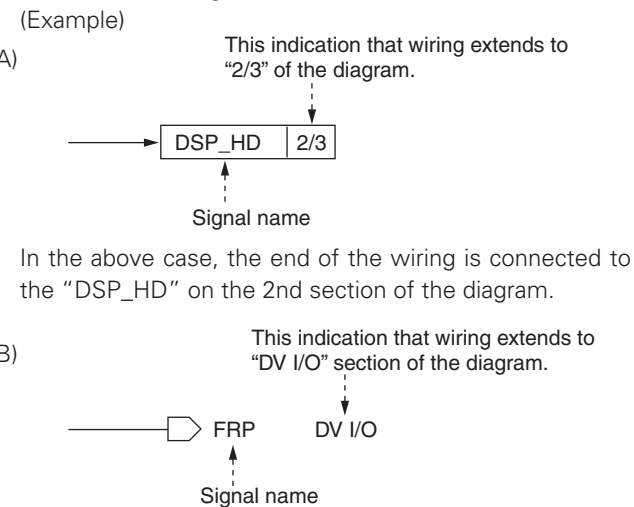
### • Expression of wiring

As the following circuit diagram is divided to print on some sheets, such an indication as the following is found in the case the wiring extends over two or more divided sections.

1) Circuit diagram divided into two or more sections:

Board	Board Name	Number of divided sections
1 6	SE	1/2 - 2/2
1 9	DPR	1/4 - 4/4
3 1	SS/CP	1/2 - 2/2
3 2	AUDIO/LCD	1/2 - 2/2
1 0	DV MAIN	1/7 - 7/7

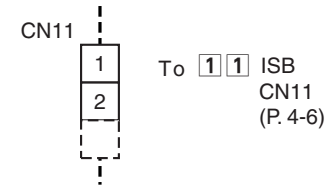
2) Indication of wiring which extends to another section:



In the above case, the end of the wiring is connected to the "FRP" on the "DV I/O" section of the diagram.

### • Wiring of connector

(Example)



In the above example, CN11 is connected with CN11 on 1 1 ISB board.

### • Signal flow on the diagram

The following allow marks indicate the specified signal paths respectively.

- ➡ : Recording or EE signal path
- ⇨ : Playback signal path
- ⇨ : Recording and Playback signal path

### • Others

In regard of a board assembly whose circuit is composed of multilayered board patterns such 4- or 6-layered patterns, board patterns of the power supply lines and grounding lines are omitted in this section.

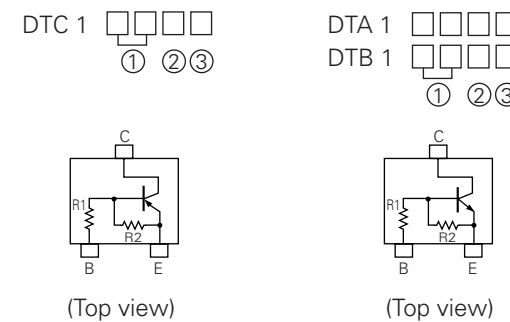
**Note:** For detail of each electrical part, refer to Section 6 "ELECTRICAL PARTS LIST" by its symbol number.

### ■ REPLACING SURFACE MOUNT "CHIP" COMPONENTS

- Some resistors, shorting jumpers (0 resistance), ceramic capacitors, transistors, and diodes are chip parts. These chip parts cannot be reused after they are once removed.
- Chip resistors used in some circuits are of high precision type having little error in resistance.  
 To demonstrate the full capacity of this set, place an order for proper parts referring to the diagrams and parts lists in the section 5.
- Soldering cautions:
  - 1) Do not apply heat for more than 3 seconds.
  - 2) Avoid using a rubbing stroke when soldering.
  - 3) Discard removed chips; do not reuse them.
  - 4) Supplementary cementing is not required.
  - 5) Use care not to scratch or otherwise damage the chips.

### ■ CHIP PARTS PIN ARRANGEMENT

[1] Digital transistors



① Two digits show resistance of R1 in abbreviation.

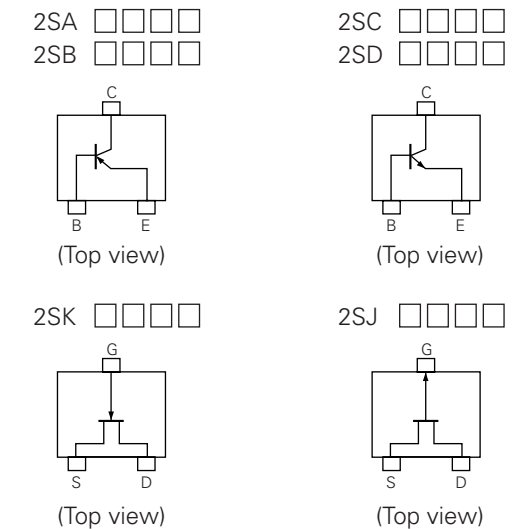
- 43 : 4.7 kΩ
- 14 : 10 kΩ
- 24 : 22 kΩ
- 44 : 47 kΩ

② Roman letter show the resistive ratio between R1 and R2 in abbreviation.

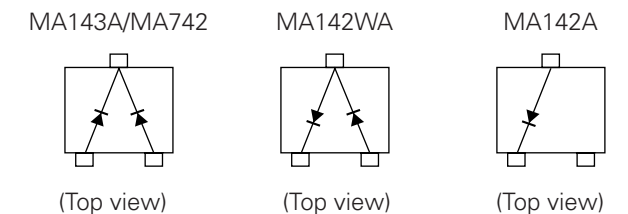
- E : R2/R1 = 1/1
- Y : R2/R1 = 5/1
- W : R2/R1 = 2/1
- X : R2/R1 = 1/2
- T : R2 is opened.

③ Symbol the shape of resistor in abbreviation.

[2] Chip transistors and chip F.E.T.s

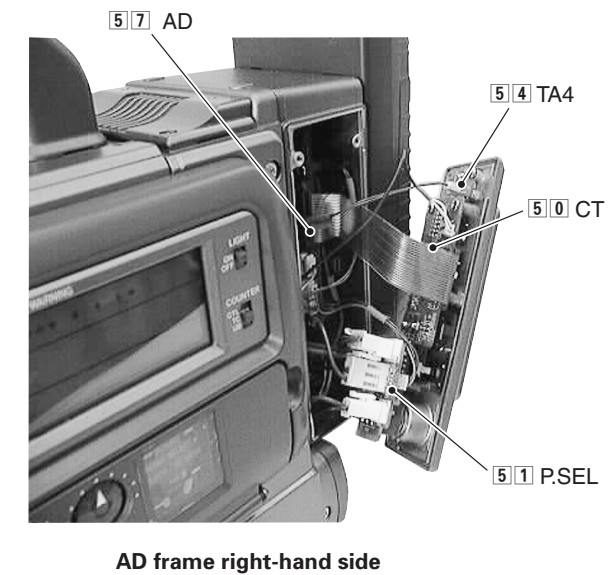
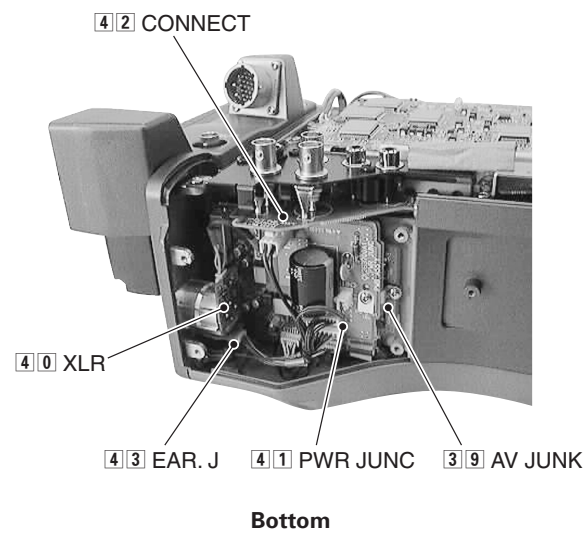
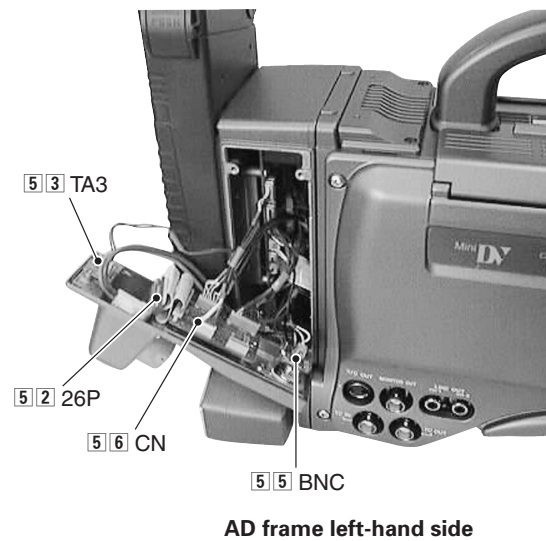
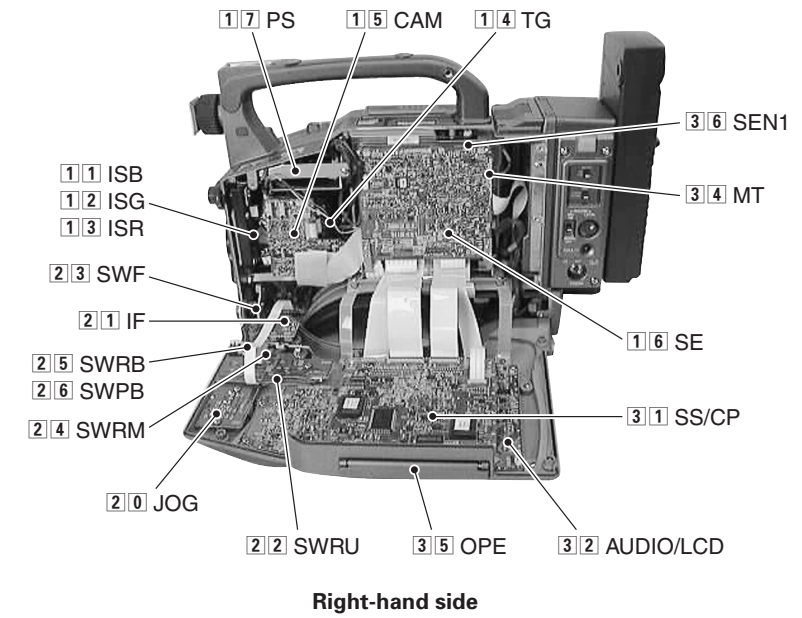
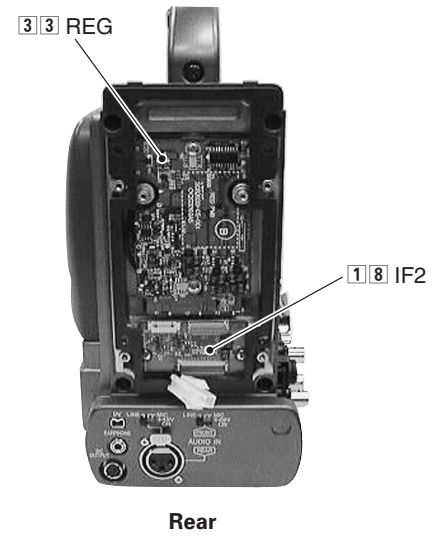
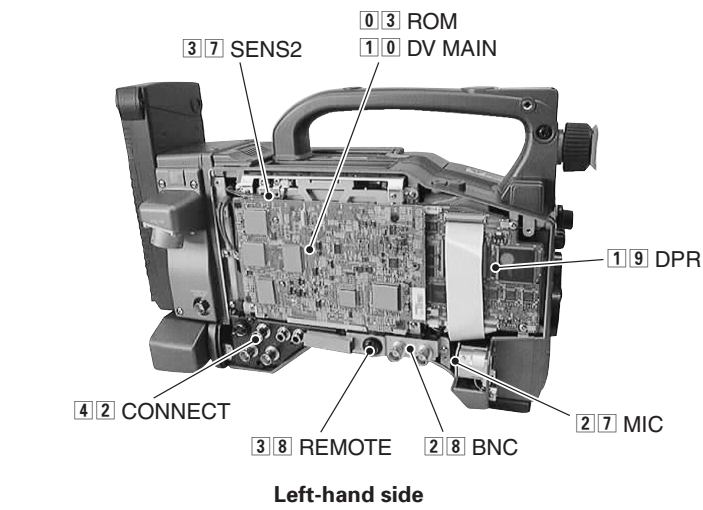


[3] Chip diodes



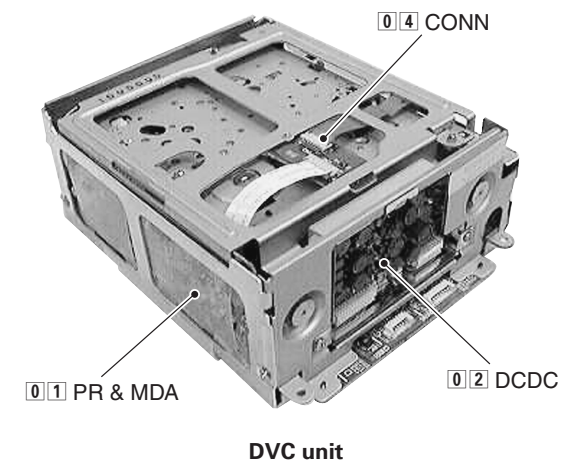
## 4.1 INDEX TO PAGES OF MAIN BOARDS AND CIRCUIT BOARD LOCATION

### 4.1.1 Circuit board location



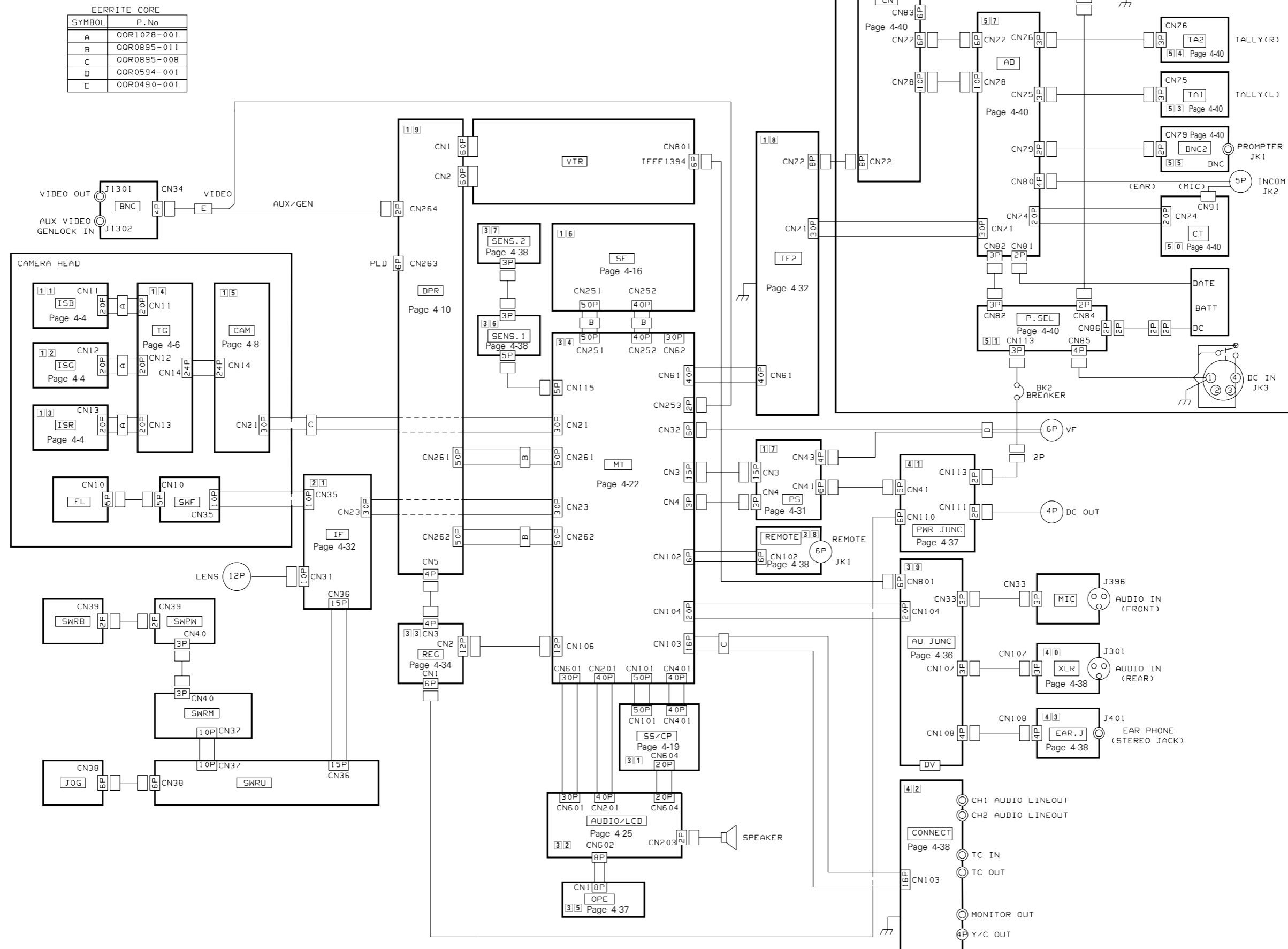
Board No.	Board Name	Page of diagram			Board No.	Board Name	Page of diagram		
		Block diagram	Schematic diagram	Circuit board			Block diagram	Schematic diagram	Circuit board
—	OVERALL	—	4-3	—	28	BNC	—	4-25	4-26
—	OVERALL (DVC UNIT)	—	4-42	—	29	FL	—	—	4-26
01	PR & MDA	4-66,67	4-52,53	4-54	31	SS/CP	4-47	4-19, 20	4-21
02	DCDC	—	4-56	4-57	32	AUDIO/LCD	4-48	4-25, 26	4-27 to 30
03	ROM	—	4-42	4-42	33	REG	4-64	4-34	4-35
04	CONN.	—	4-55	4-57	34	MT	—	4-22	4-23, 24
10	DV MAIN	4-66,67	4-43 to 49	4-50, 51	35	OPE	—	4-37	4-39
11	ISB	—	—	—	36	SEN1	—	4-38	4-39
12	ISG	4-33	4-4	4-5	37	SENS2	—	4-38	4-39
13	ISR	—	—	—	38	REMOTE	—	4-38	4-39
14	TG	4-33	4-6	4-7	39	AU JUNK	—	4-36	4-39
15	CAM	4-44	4-8	4-9	40	XLR	—	4-38	4-39
16	SE	4-46	4-16, 17	4-18	41	PWR JUNC	—	4-37	4-39
17	PS	—	4-31	4-33	42	CONNECT	—	4-38	4-39
18	IF2	—	4-32	4-33	43	EAR.J	—	4-38	4-39
19	DPR	4-45	4-10 to 13	4-14,15	50	CT	—	4-40	4-41
20	JOG	—	4-24	4-26	51	P.SEL	—	4-40	4-41
21	IF	4-61	4-32	4-33	52	26P	—	4-40	4-41
22	SWRU	4-61	4-24	4-26	53	TA3	—	4-40	4-41
23	SWF	4-61	4-25	4-26	54	TA4	—	4-40	4-41
24	SWRM	—	4-25	4-26	55	BNC	—	4-40	4-41
25	SWRB	—	4-25	4-26	56	CN	—	4-40	4-41
26	SWPB	—	4-25	4-26	57	AD	—	4-40	4-41
27	MIC	—	4-25	4-26					

**Note:** Only the section marked thus  are described in this service manual.  
For those sections that are not described, please refer to the service manual of GY-DV500U/E No. 60125.



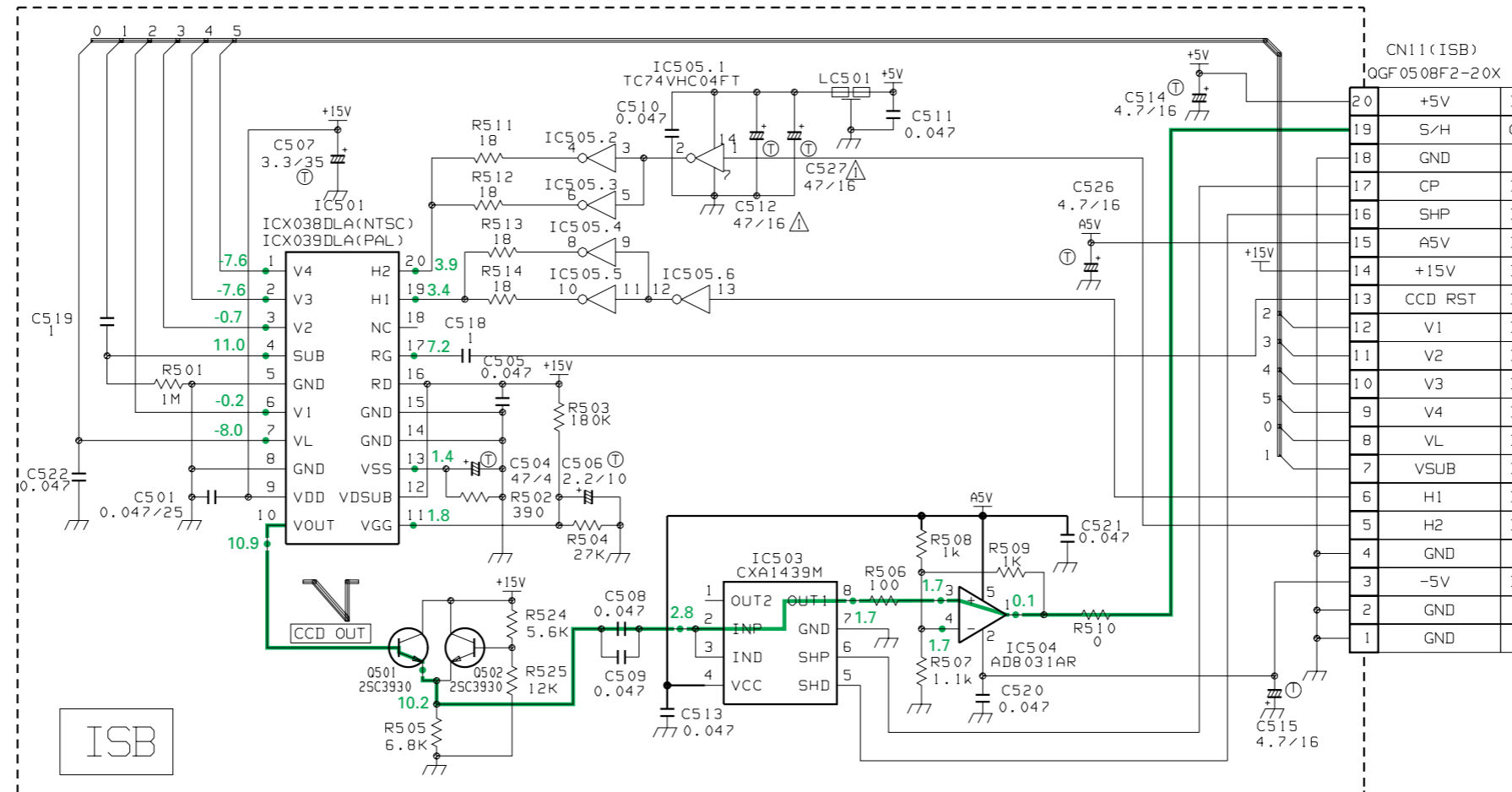
4.2 総合結線図

4.2 OVERALL WIRING DIAGRAM

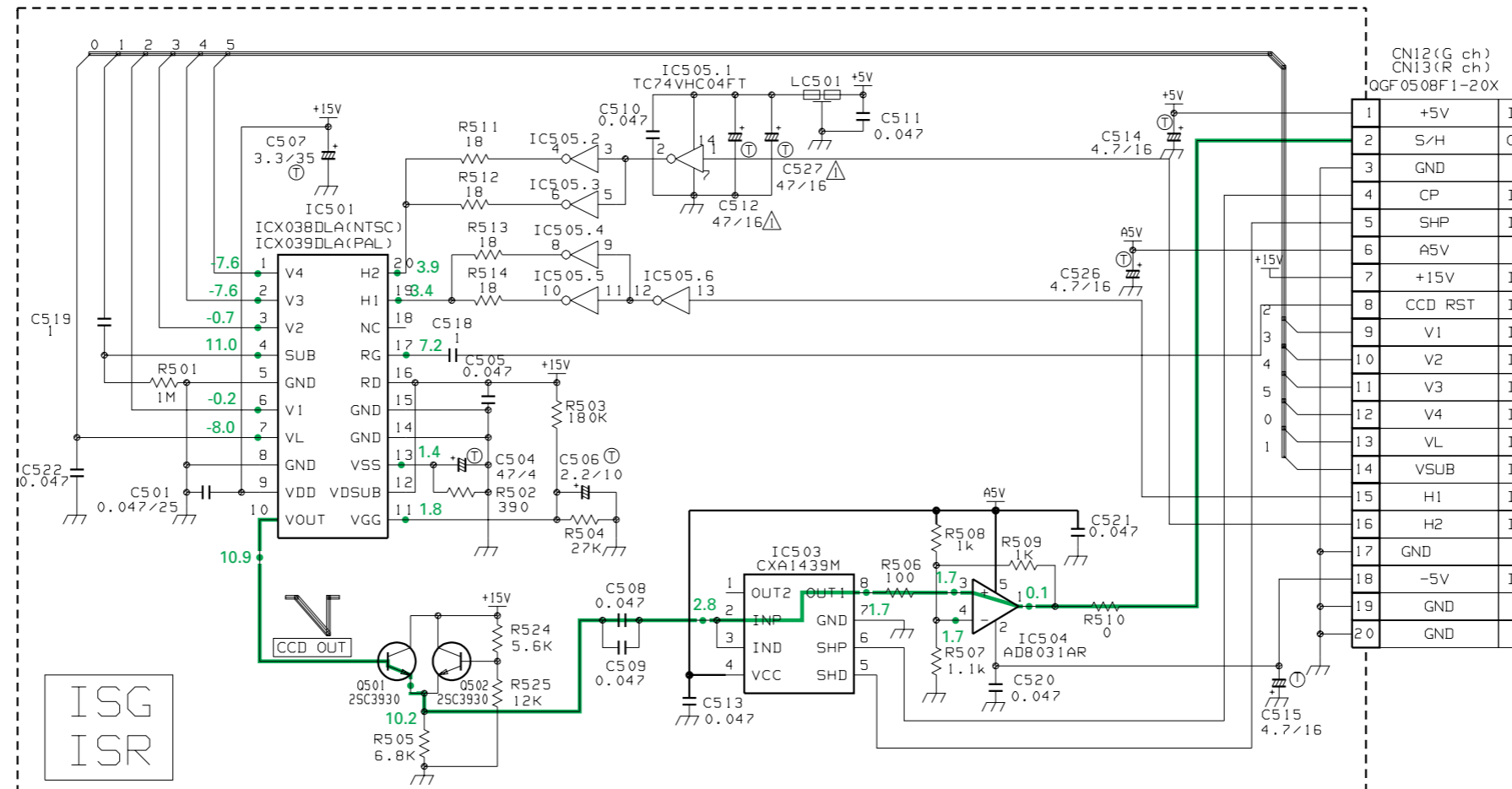


4.3 ISB/ISG/ISR基板基準回路図 11/12/13

4.3 ISB/ISG/ISR SCHEMATIC DIAGRAM 11/12/13



TO  
14 TG  
CN11  
Page 4-6

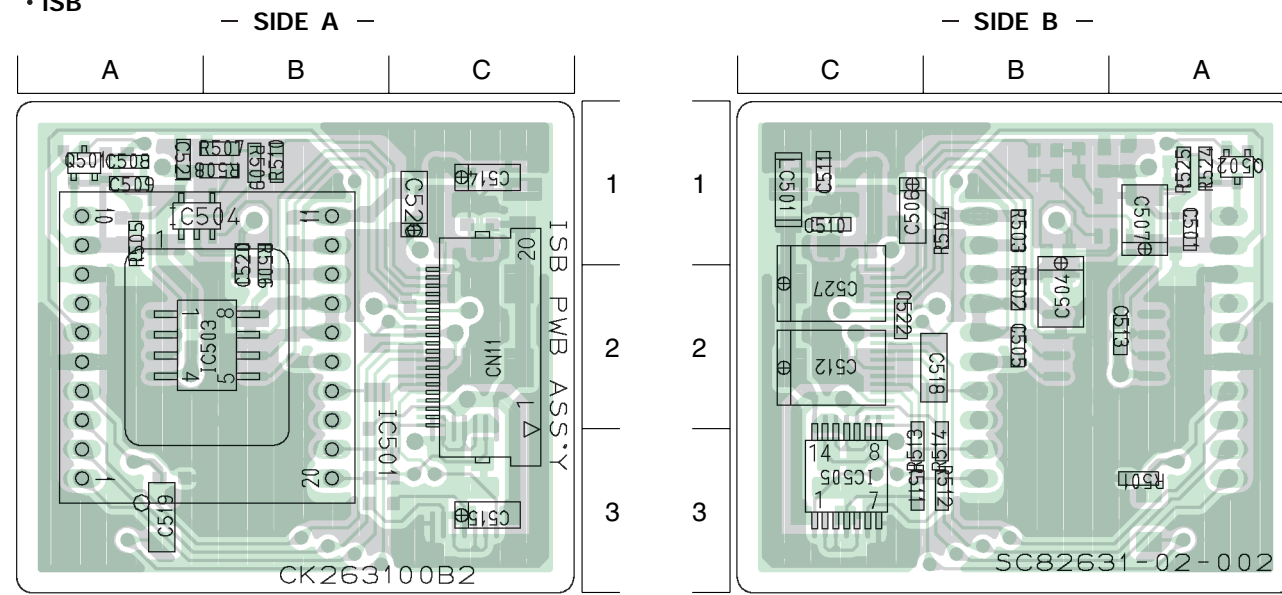


TO  
14 TG  
CN12, 13  
Page 4-6

4.4 ISB/ISG/ISR基板部品配置図

4.4 ISB/ISG/ISR CIRCUIT BOARD

・ISB

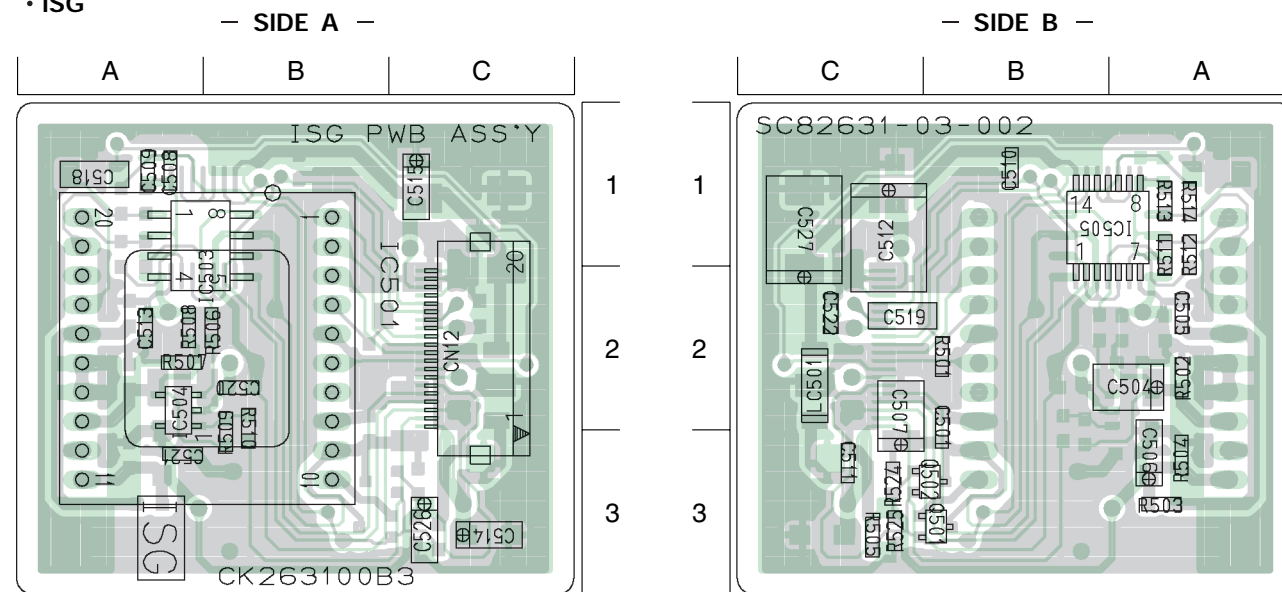


- 基板上的部品配置アドレス表  
アドレスは1区間の誤差がある場合があります。

● ADDRESS TABLE OF BOARD PARTS  
Each address may have an address error by one interval.

A-1C			
Side	Y axis		X axis
IC501	A-2A	R507	A-1B
IC503	A-2A	R508	A-1B
IC504	A-1A	R509	A-1B
IC505	B-3C	R510	A-1B
Q501	A-1A	R511	B-3C
Q502	B-1A	R512	B-3B
R501	B-3A	R513	B-3C
R502	B-2B	R514	B-3B
R503	B-1B	R524	B-1A
R504	B-1B	R525	B-1A
R505	A-1A	C501	B-1A
R506	A-1B	C504	B-2B
		C506	B-1C
		C507	B-1A
		C508	A-1A
		C509	A-1A
		R511	B-3C
		C510	B-1C
		C511	B-1C
		C512	B-2C
		C513	B-2A
		C514	A-1C
		C515	A-3C
		C518	B-2B
		C519	A-3A
		C520	A-1B
		C521	A-1A
		C522	B-2C
		C526	A-1C
		C527	B-2C
		LC501	B-1C
		CN11	A-2C

・ISG

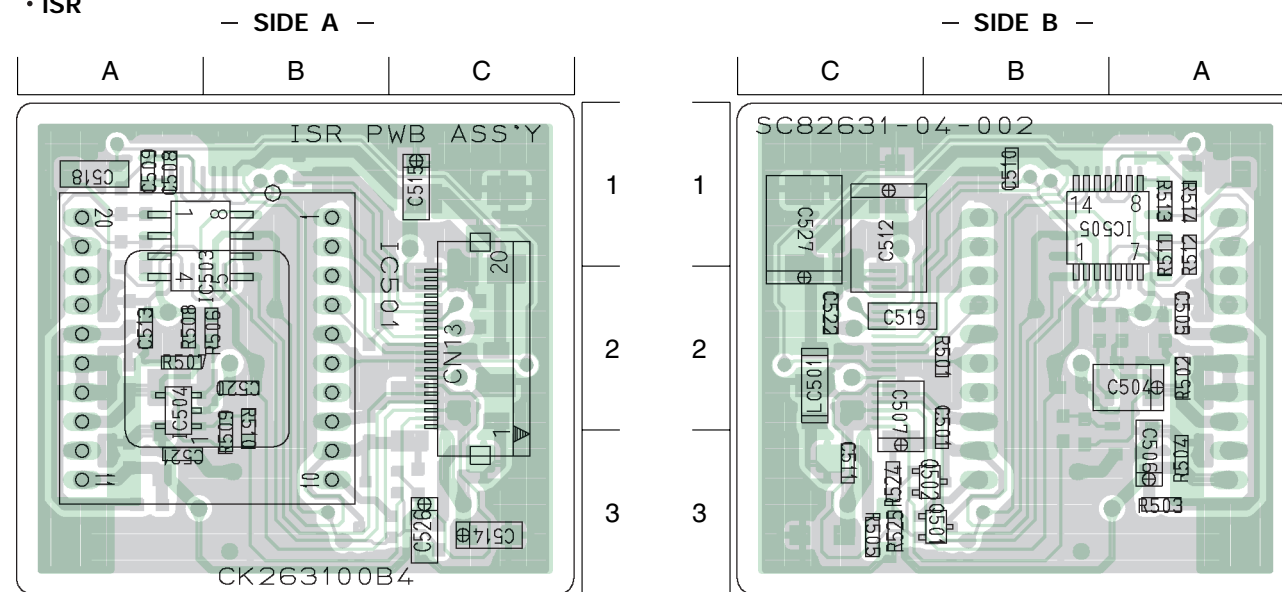


- 基板上的部品配置アドレス表  
アドレスは1区間の誤差がある場合があります。

● ADDRESS TABLE OF BOARD PARTS  
Each address may have an address error by one interval.

A-1C			
Side	Y axis		X axis
IC501	A-2A	R507	A-2A
IC503	A-1A	R508	A-2A
IC504	A-2A	R509	A-3B
IC505	B-1A	R510	A-2B
Q501	B-3B	R511	B-1A
Q502	B-3B	R512	B-1A
R501	B-2B	R513	B-1A
R502	B-2A	R514	B-1A
R503	B-3A	R524	B-3C
R504	B-3A	R525	B-3C
R505	B-3C	C501	B-2B
R506	A-2A	C504	B-2A
		C505	B-2A
		C506	B-3A
		C507	B-2C
		C508	A-1A
		C509	A-1A
		C510	B-1B
		C511	B-3C
		C512	B-1C
		C513	A-2A
		C514	A-3C
		C515	A-1C
		C518	A-1A
		C519	B-2C
		C520	A-2B
		C521	A-3A
		C522	B-2C
		C526	A-3C
		C527	B-1C
		CN12	A-2C
		LC501	B-2C

・ISR



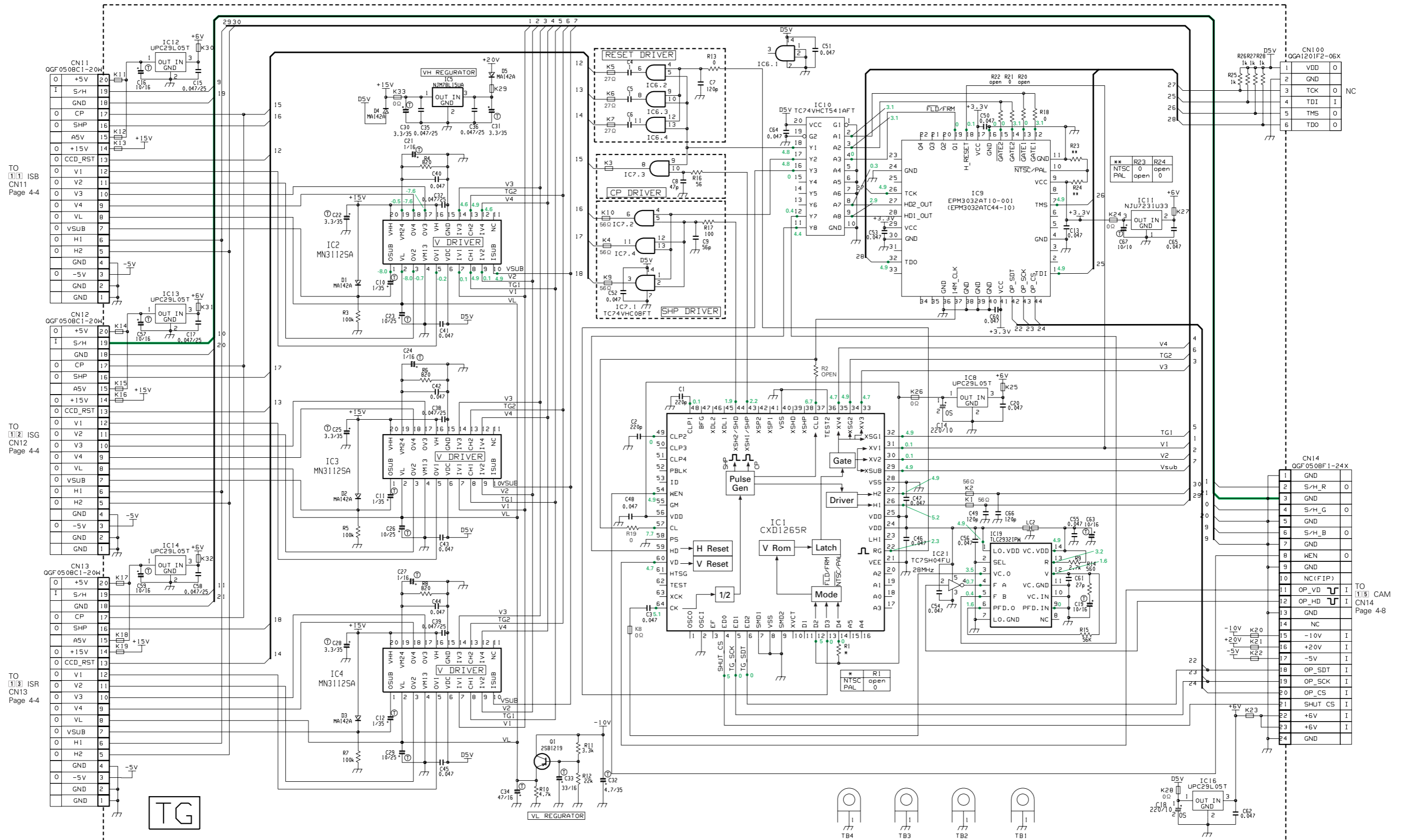
- 基板上的部品配置アドレス表  
アドレスは1区間の誤差がある場合があります。

● ADDRESS TABLE OF BOARD PARTS  
Each address may have an address error by one interval.

A-1C			
Side	Y axis		X axis
IC501	A-2A	R507	A-2A
IC503	A-1A	R508	A-2A
IC504	A-2A	R509	A-3B
IC505	B-1A	R510	A-2B
Q501	B-3B	R511	B-1A
Q502	B-3B	R512	B-1A
R501	B-2B	R513	B-1A
R502	B-2A	R514	B-1A
R503	B-3A	R524	B-3C
R504	B-3A	R525	B-3C
R505	B-3C	C501	B-2B
R506	A-2A	C504	B-2A
		C505	B-2A
		C506	B-3A
		C507	B-2C
		C508	A-1A
		C509	A-1A
		C510	B-1B
		C511	B-3C
		C512	B-1C
		C513	A-2A
		C514	A-3C
		C515	A-1C
		C518	A-1A
		C519	B-2C
		C520	A-2B
		C521	A-3A
		C522	B-2C
		C526	A-3C
		C527	B-1C
		CN12	A-2C
		LC501	B-2C

4.5 TG基板基準回路図 1 4

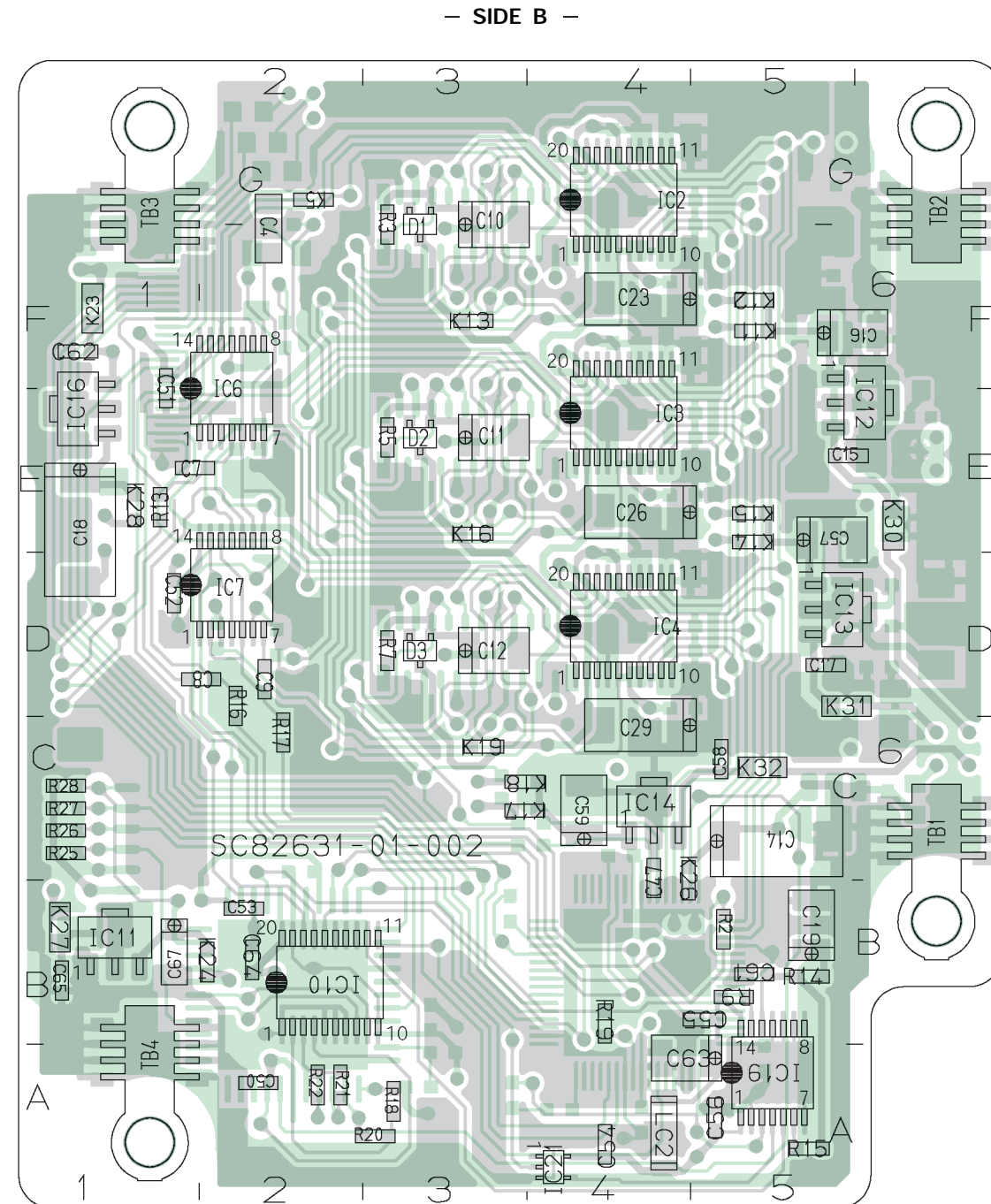
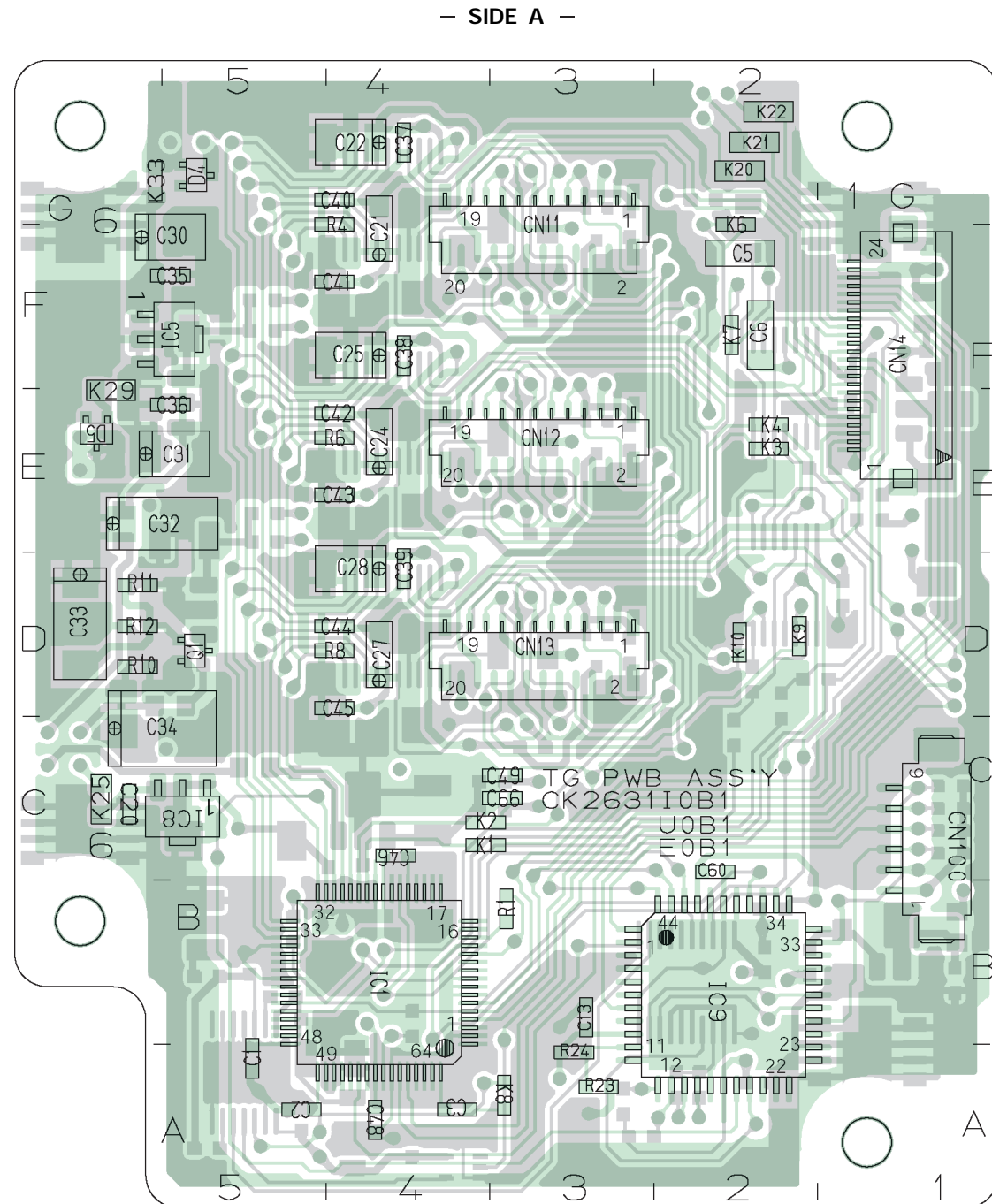
4.5 TG SCHEMATIC DIAGRAM 1 4



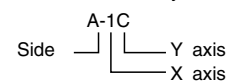
SC92691

4.6 TG基板部品配置図

4.6 TG CIRCUIT BOARD



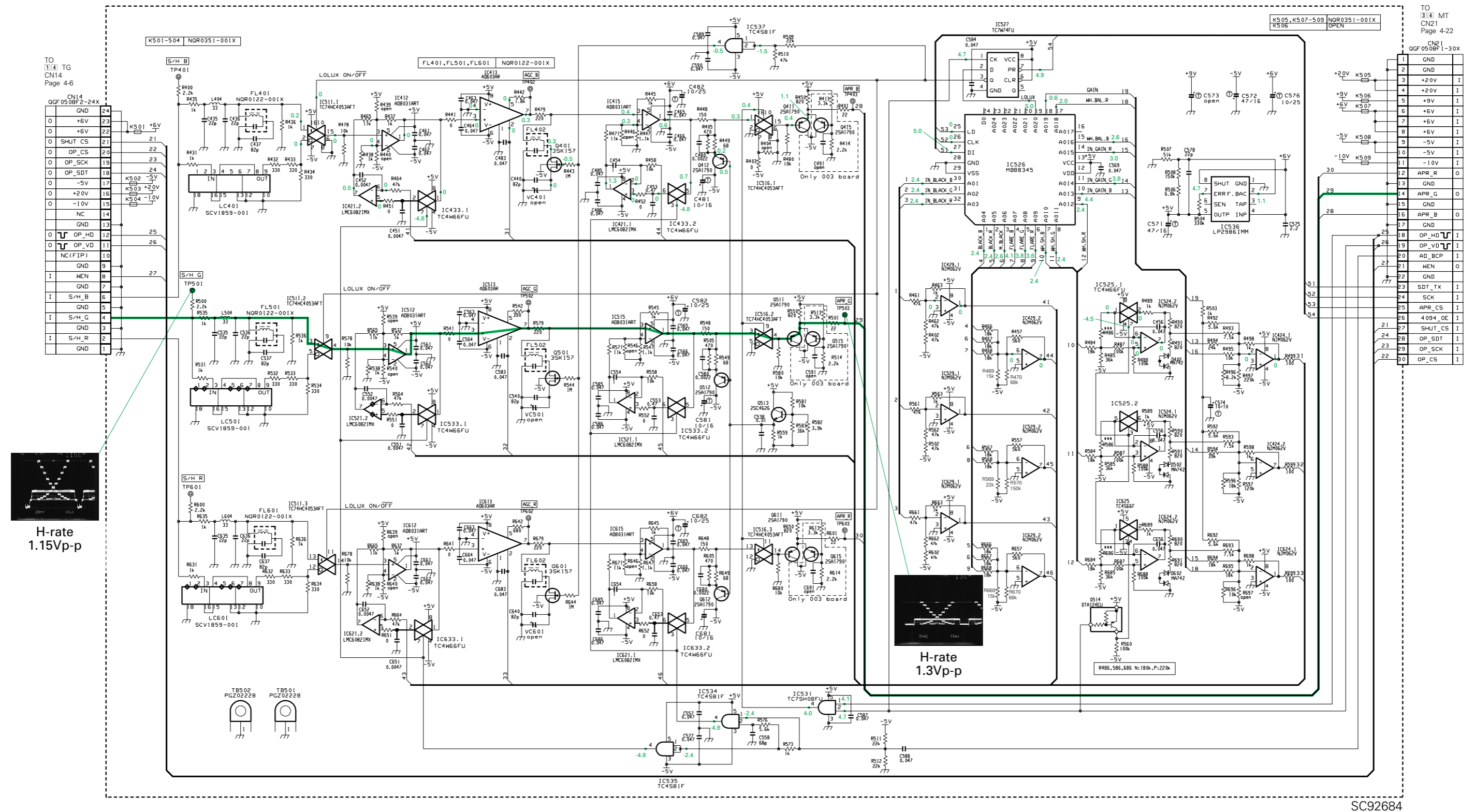
- 基板の部品配置アドレス表  
アドレスは1区間の誤差がある場合があります。
- ADDRESS TABLE OF BOARD PARTS  
Each address may have an address error by one interval.



IC1	A-4B	IC21	B-4A	R7	B-3D	R23	A-3A	C10	B-3G	C26	B-4E	C42	A-5E	C58	B-5C	K6	A-2G	K22	A-2G	TB4	B-1A
IC2	B-4G			R8	A-5D	R24	A-3A	C11	B-3E	C27	A-4D	C43	A-5E	C59	B-4C	K7	A-2F	K23	B-1F		
IC3	B-4E	Q1	A-5D	R9	B-5B	R25	B-1C	C12	B-3D	C28	A-5D	C44	A-5D	C60	A-2C	K8	A-4A	K24	B-2B	CN11	A-3G
IC4	B-4D			R10	A-6D	R26	B-1C	C13	A-3B	C29	B-4C	C45	A-5D	C61	B-5B	K9	A-2D	K25	A-6C	CN12	A-3E
IC5	A-6F	D1	B-3G	R11	A-6D	R27	B-1C	C14	B-5C	C30	A-6F	C46	A-4C	C62	B-1F	K10	A-2D	K26	B-5C	CN13	A-3D
IC6	B-2F	D2	B-3E	R12	A-6D	R28	B-1C	C15	B-6E	C31	A-6E	C47	B-4C	C63	B-5A	K11	B-5F	K27	B-1B	CN14	A-1F
IC7	B-2D	D3	B-3D	R13	B-1E			C16	B-6F	C32	A-6E	C48	A-4A	C64	B-2B	K12	B-5F	K28	B-1E	CN100	A-1C
IC8	A-6C	D4	A-5G	R14	B-5B	C1	A-5A	C17	B-6D	C33	A-6D	C49	A-4C	C65	B-1B	K13	B-3F	K29	A-6E		
IC9	A-2B	D5	A-6E	R15	B-5A	C2	A-5A	C18	B-1E	C34	A-6C	C50	B-2A	C66	A-4C	K14	B-5E	K30	B-6E	LC2	B-5A
IC10	B-2B			R16	B-2D	C3	A-4A	C19	B-5B	C35	A-6F	C51	B-1F	C67	B-2B	K15	B-5E	K31	B-6D		
IC11	B-1B	R1	A-4B	R17	B-2C	C4	B-2F	C20	A-6C	C36	A-6E	C52	B-2D			K16	B-3E	K32	B-5C		
IC12	B-6E	R2	B-5B	R18	B-3A	C5	A-2F	C21	A-4F	C37	A-4G	C53	B-2B	K1	A-4C	K17	B-4C	K33	A-6G		
IC13	B-6D	R3	B-3G	R19	B-4B	C6	A-2F	C22	A-5G	C38	A-4F	C54	B-4A	K2	A-4C	K18	B-4C				
IC14	B-4C	R4	A-5G	R20	B-3A	C7	B-2E	C23	B-4F	C39	A-4D	C55	B-5B	K3	A-2E	K19	B-3C	TB1	B-6B		
IC16	B-1E	R5	B-3E	R21	B-3A	C8	B-2D	C24	A-4E	C40	A-5G	C56	B-5A	K4	A-2E	K20	A-2G	TB2	B-6G		
IC19	B-5A	R6	A-5E	R22	B-2A	C9	B-2D	C25	A-5F	C41	A-5F	C57	B-6E	K5	B-2G	K21	A-2G	TB3	B-1G		

4.7 CAM基板基準回路図 1 5

4.7 CAM SCHEMATIC DIAGRAM 1 5



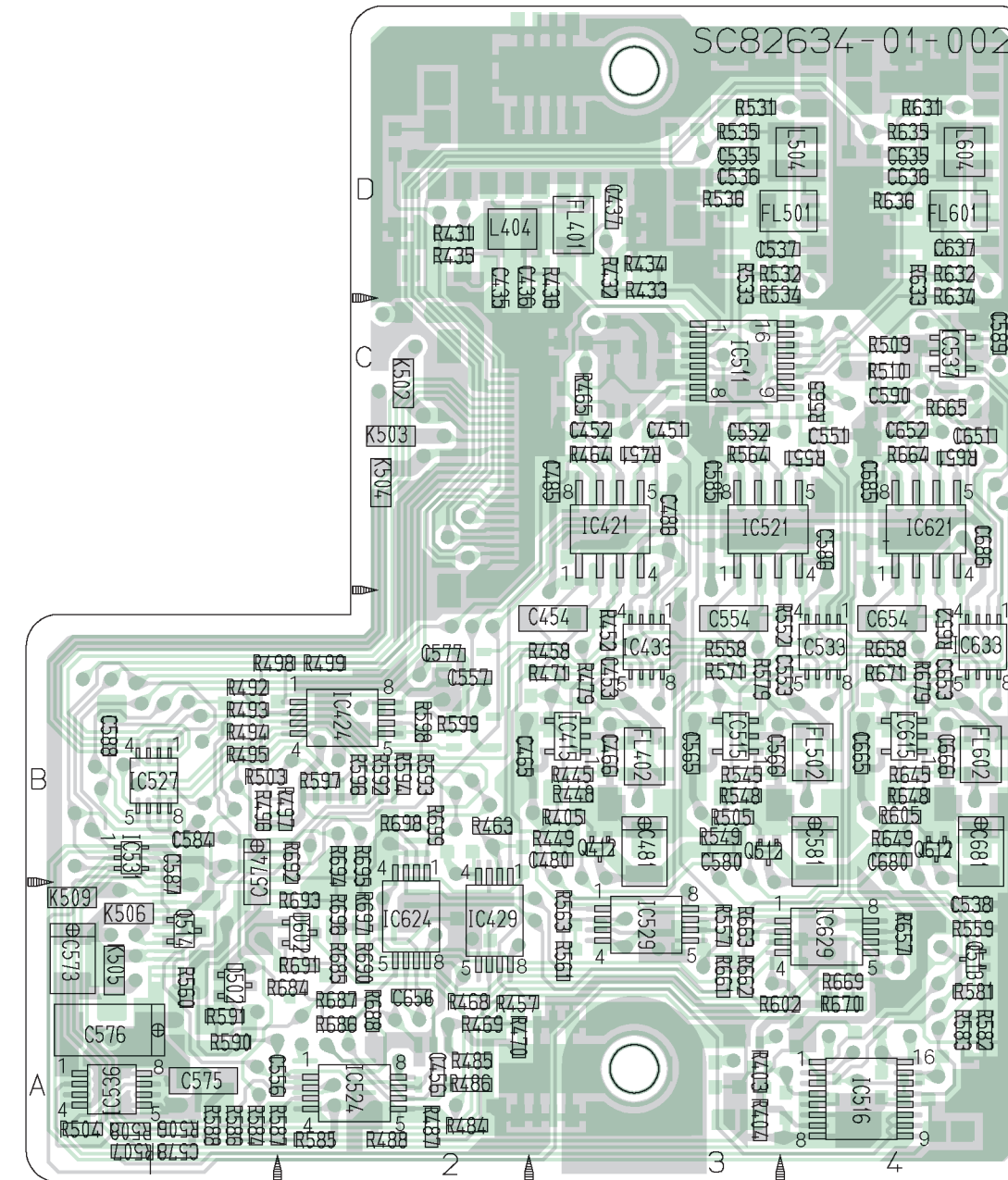
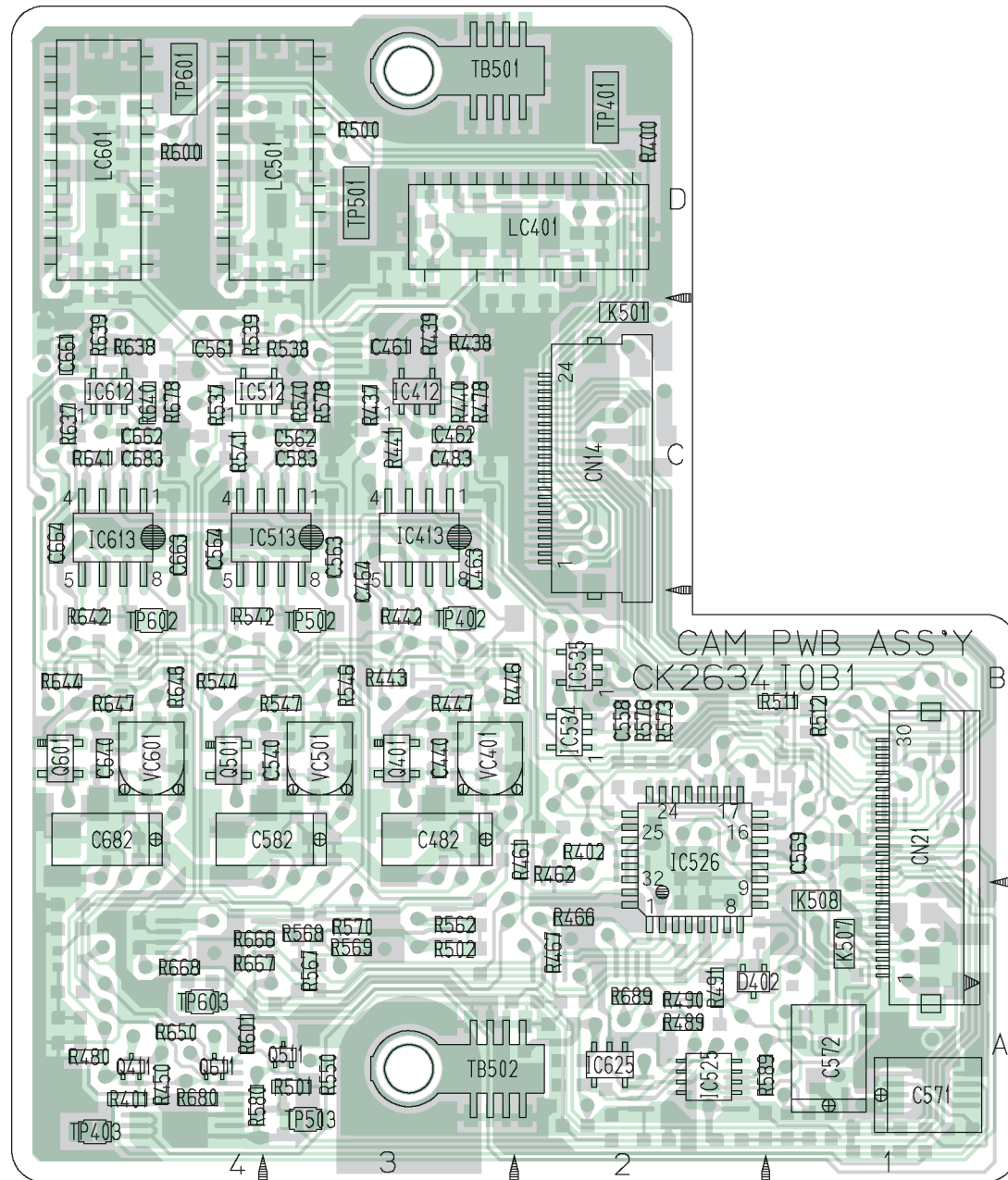


4.8 CAM基板部品配置図

4.8 CAM CIRCUIT BOARD

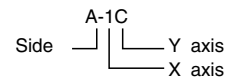
— SIDE A —

— SIDE B —



● 基板上的部品配置アドレス表  
アドレスは1区間の誤差がある場合があります。

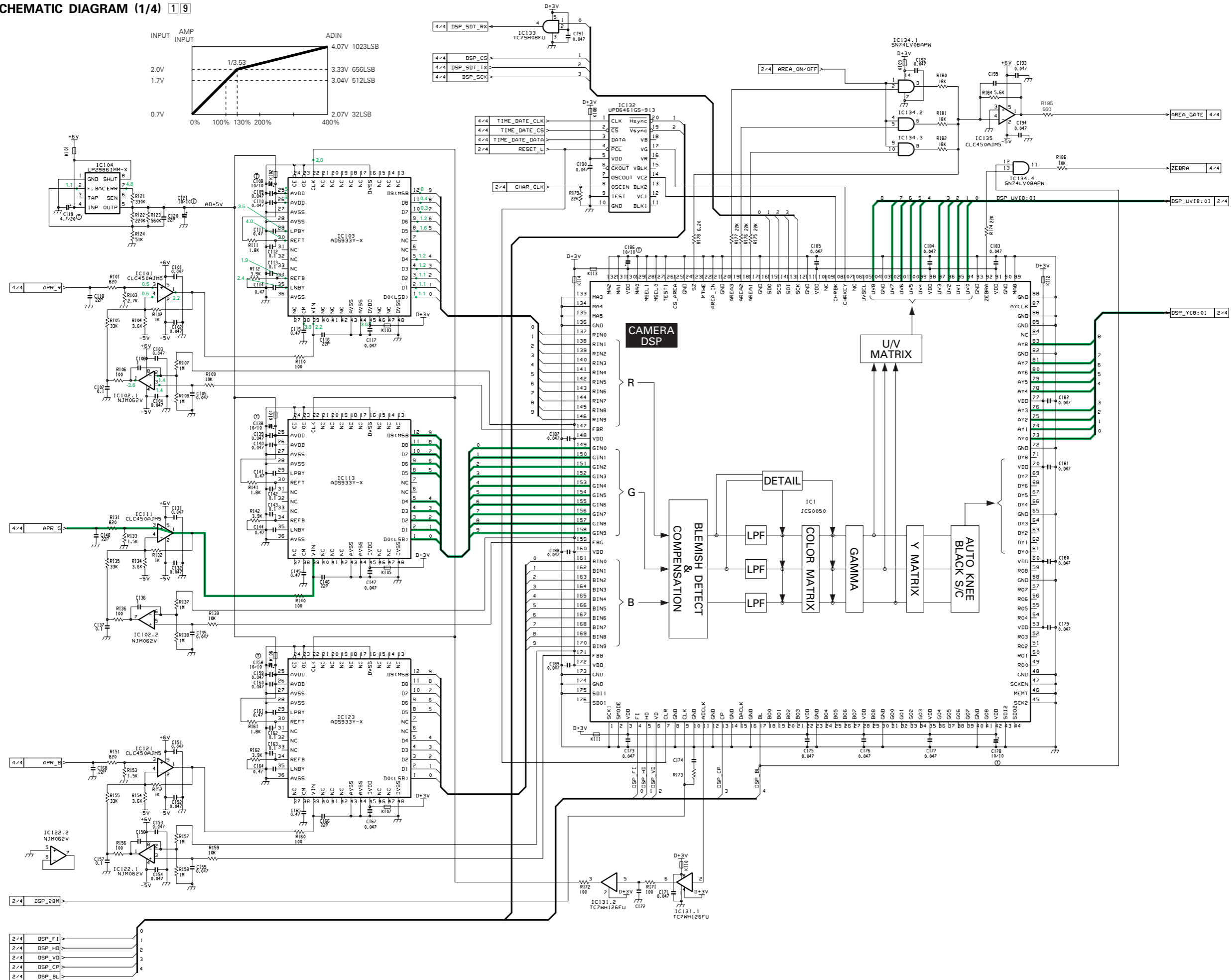
● ADDRESS TABLE OF BOARD PARTS  
Each address may have an address error by one interval.



IC412	A-3C	IC613	A-4C	R401	A-4A	R452	B-3B	R492	B-1B	R535	B-3D	R565	B-4C	R596	B-2B	R649	B-4B	R689	A-2A	C465	B-3B	C566	B-4B	C651	B-4C	TP401	A-2D	FL602	B-4B
IC413	A-3C	IC615	B-4B	R402	A-2B	R457	B-3A	R493	B-1B	R536	B-3D	R567	A-3A	R597	B-2B	R650	A-4A	R690	B-2A	C466	B-3B	C569	A-1B	C652	B-4C	TP402	A-3B	TB501	A-3D
IC415	B-3B	IC621	B-4C	R403	B-3A	R458	B-3B	R494	B-1B	R537	A-4C	R568	A-3A	R598	B-2B	R651	B-4C	R691	B-2B	C480	B-3B	C571	A-1A	C653	B-4B	TP403	A-4A	TB502	A-3A
IC421	B-3C	IC624	B-2A	R404	B-3A	R461	A-3B	R495	B-1B	R538	A-3C	R569	A-3A	R599	B-2B	R652	B-4B	R692	B-2B	C481	B-3B	C572	A-1A	C654	B-4B	TP501	A-3D	TB502	A-3A
IC424	B-2B	IC625	A-2A	R405	B-3B	R462	A-2B	R496	B-1B	R539	A-4C	R570	A-3A	R600	A-4D	R657	B-4A	R693	B-2A	C482	A-3B	C573	B-1A	C656	B-2A	TP502	A-3B	CN14	A-2C
IC429	B-2A	IC629	B-4A	R431	B-2D	R463	B-2B	R497	B-2B	R540	A-3C	R571	B-3B	R601	A-4A	R658	B-4B	R694	B-2B	C483	A-3C	C574	B-1B	C661	A-4C	TP503	A-3A	CN14	A-2C
IC433	B-3B	IC633	B-4B	R432	B-3D	R464	B-3C	R498	B-2B	R541	A-4C	R573	A-2B	R602	B-4A	R661	B-4A	R695	B-2B	C485	B-3C	C575	B-1A	C662	A-4C	TP601	A-4D	CN21	A-1B
IC511	B-3C			R433	B-3D	R465	B-3C	R499	B-2B	R542	A-4B	R576	A-2B	R605	B-4B	R662	B-3A	R696	B-2A	C486	B-3C	C576	B-1A	C663	A-4C	TP602	A-4B		
IC512	A-4C	Q401	A-3B	R434	B-3D	R466	A-2A	R500	A-3D	R544	A-4B	R578	A-3C	R606	B-4D	R663	B-3A	R697	B-2A	C487	B-2A	C535	B-3D	C577	B-3B	C664	A-4C	TP603	A-4A
IC513	A-3C	Q411	A-4A	R435	B-2D	R467	A-2A	R501	A-3A	R545	B-3B	R579	B-3B	R632	B-4D	R664	B-4C	R698	B-2B	C536	B-3D	C578	B-1A	C665	B-4B				
IC515	B-3B	Q412	B-3B	R436	B-3D	R468	B-2A	R502	A-3A	R546	A-3B	R580	A-4A	R633	B-4D	R665	B-4C	R699	B-2B	C537	B-4D	C580	B-3B	C666	B-4B	K501	A-2C		
IC516	B-4A	Q501	A-4B	R437	A-3C	R469	B-2A	R503	B-1A	R547	B-4A	R581	B-4A	R634	B-4C	R666	A-4A			C538	B-4A	C581	B-4B	C680	B-4B	K502	B-2C		
IC521	B-3C	Q511	A-3A	R438	A-3C	R470	B-3A	R504	B-1A	R548	B-3B	R582	B-4A	R635	B-4D	R667	A-4A	C435	B-2D	C540	A-3B	C582	A-3B	C681	B-4B	K503	B-2C		
IC524	B-2A	Q512	B-3B	R439	A-3C	R471	B-3B	R505	B-3B	R549	B-3B	R583	B-4A	R636	B-4D	R668	B-4A	C436	B-3D	C551	B-4C	C583	A-3C	C682	A-4B	K504	B-2C		
IC525	A-2A	Q513	B-4A	R440	A-3C	R478	A-3C	R506	B-1A	R550	A-3C	R584	B-1A	R637	A-4C	R669	B-4A	C437	B-3D	C552	B-3C	C584	B-1B	C683	A-4C	K505	B-1A		
IC526	A-2B	Q514	B-1A	R441	A-3C	R479	B-3B	R507	B-1A	R551	B-4C	R585	B-2A	R638	A-4C	R670	B-4A	C440	A-3B	C553	B-4B	C585	B-3C	C685	B-4C	K506	B-1A		
IC527	B-1B	Q601	A-4B	R442	A-3B	R480	A-4A	R508	B-1A	R552	B-4B	R586	B-1A	R639	A-4C	R671	B-4B	C451	B-3C	C554	B-3B	C586	B-4C	C686	B-4C	K507	A-1A		
IC529	B-3A	Q611	A-4A	R443	A-3B	R484	B-2A	R509	B-4C	R557	B-3A	R587	B-2A	R640	A-4C	R678	A-4C	C452	B-3C	C556	B-2A	C587	B-1B			K508	A-1A		
IC531	B-1B	Q612	B-4A	R445	B-3B	R485	B-2A	R510	B-4C	R558	B-3B	R588	B-1A	R641	A-4C	R679	B-4B	C453	B-3B	C557	B-2B	C588	B-1B	VC401	A-3B	K509	B-1A		
IC533	B-4B			R446	A-3B	R486	B-2A	R511	A-1B	R559	B-4A	R589	A-2A	R642	A-4B	R680	A-4A	C454	B-3B	C558	A-2B	C589	B-4C	VC501	A-3B				
IC534	A-2B	D402	A-2A	R447	A-3B	R487	B-2A	R512	A-1B	R560	B-1A	R590	B-1A	R644	A-4B	R684	B-2A	C456	B-2A	C561	A-4C	C590	B-4C	VC601	A-4B	FL401	B-3D		
IC535	A-2B	D502	B-1A	R448	B-3B	R488	B-2A	R521	B-3D	R561	B-3A	R591	B-1A	R645	B-4B	R685	B-2A	C461	A-3C	C562	A-3C	C635	B-4D			FL402	B-3B		
IC536	B-1A	D602	B-2A	R449	B-3B	R489	A-2A	R532	B-4D	R562	A-3A	R592	B-2B	R646	A-4B	R686	B-2A	C462	A-3C	C563	A-3C	C636	B-4D	L404	B-2D	FL501	B-4B		
IC537	B-4C			R450	A-4A	R490	A-2A	R533	B-3D	R563	B-3A	R593	B-2B	R647	A-4B	R687	B-2A	C463	A-3C	C564	A-4C	C637	B-4D	L504	B-4D	FL502	B-4D		
IC612	A-4C	R400	A-2D	R451	B-3C	R491	A-2A	R534	B-4C	R564	B-3C	R594	B-2B	R648	B-4B	R688	B-2A	C464	A-3C	C565	B-3B	C640	A-4B	L604	B-4D	FL601	B-4D		

4.9 DPR基板基準回路図 (1/4) 19

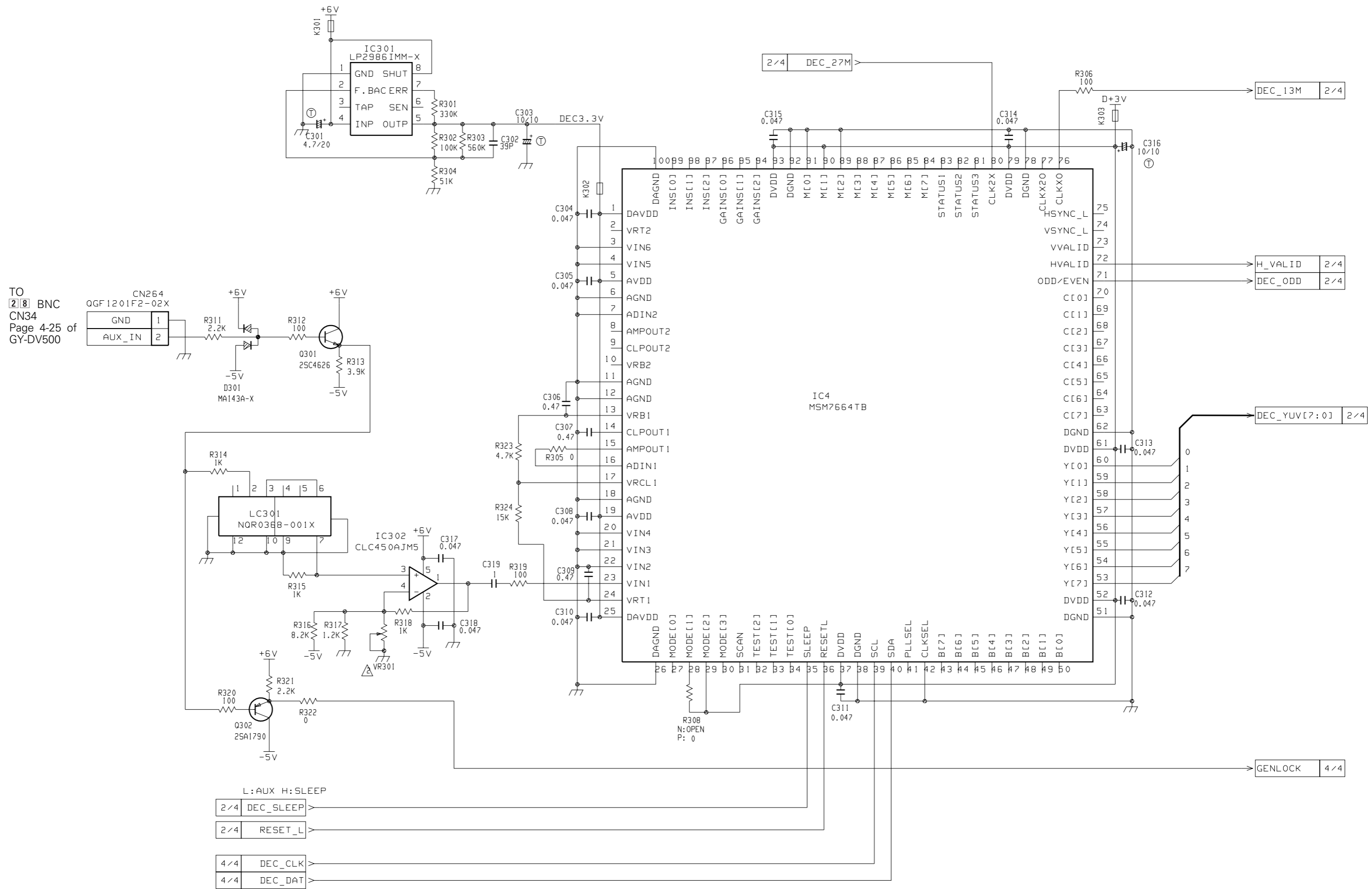
4.9 DPR SCHEMATIC DIAGRAM (1/4) 19





• DPR基板基準回路図 (3/4) 19

• DPR SCHEMATIC DIAGRAM (3/4) 19



TO  
28 BNC  
CN34  
Page 4-25 of  
GY-DV500

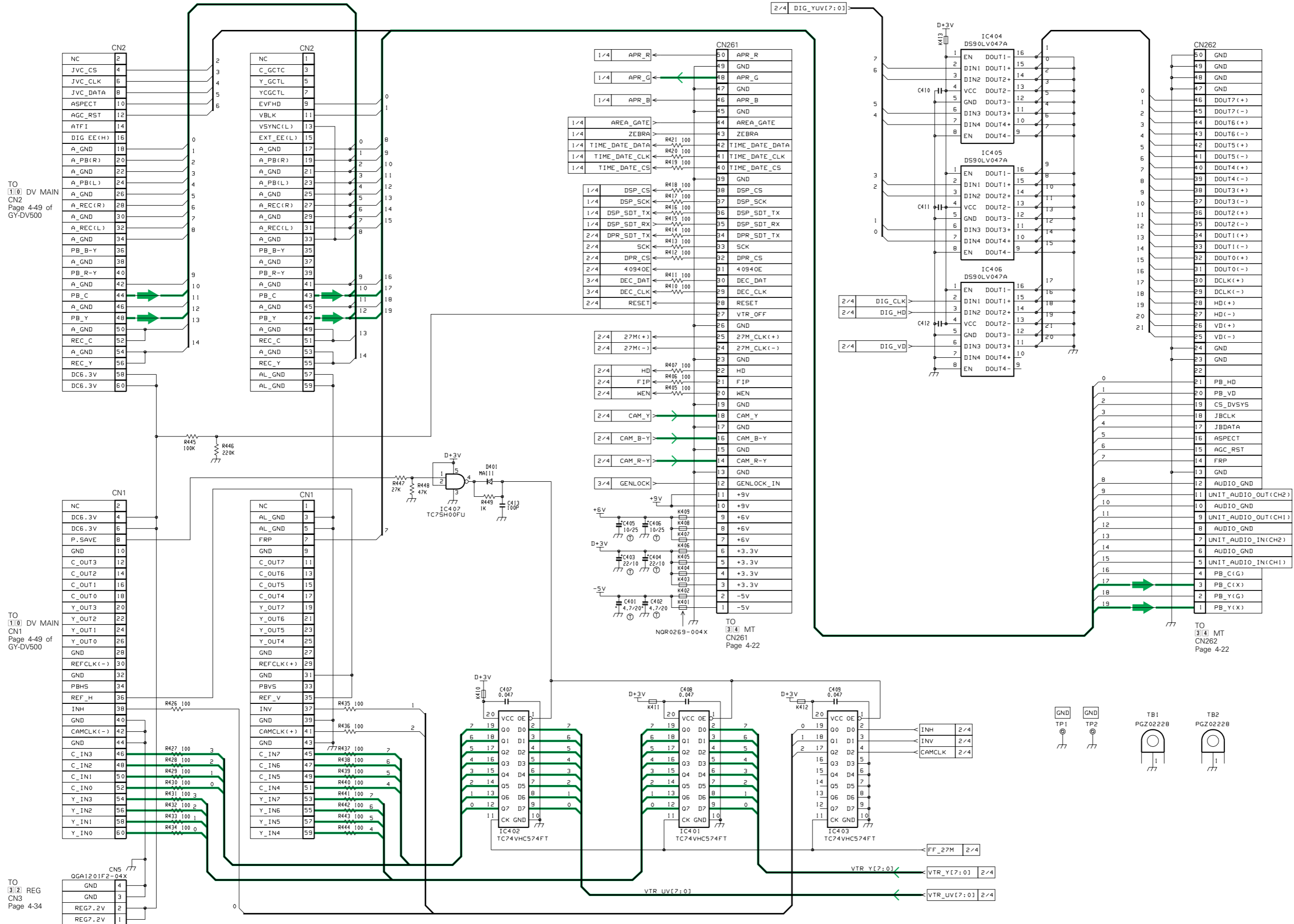
CN264	
GND	1
AUX_IN	2

L: AUX H: SLEEP

2/4	DEC_SLEEP
2/4	RESET_L
4/4	DEC_CLK
4/4	DEC_DAT

• DPR基板基準回路図 (4/4) 1 9

• DPR SCHEMATIC DIAGRAM (4/4) 1 9



TO  
[1] DV MAIN  
CN2  
Page 4-49 of  
GY-DV500

TO  
[1] DV MAIN  
CN1  
Page 4-49 of  
GY-DV500

TO  
[3] REG  
CN3  
Page 4-34

TO  
[3] MT  
CN261  
Page 4-22

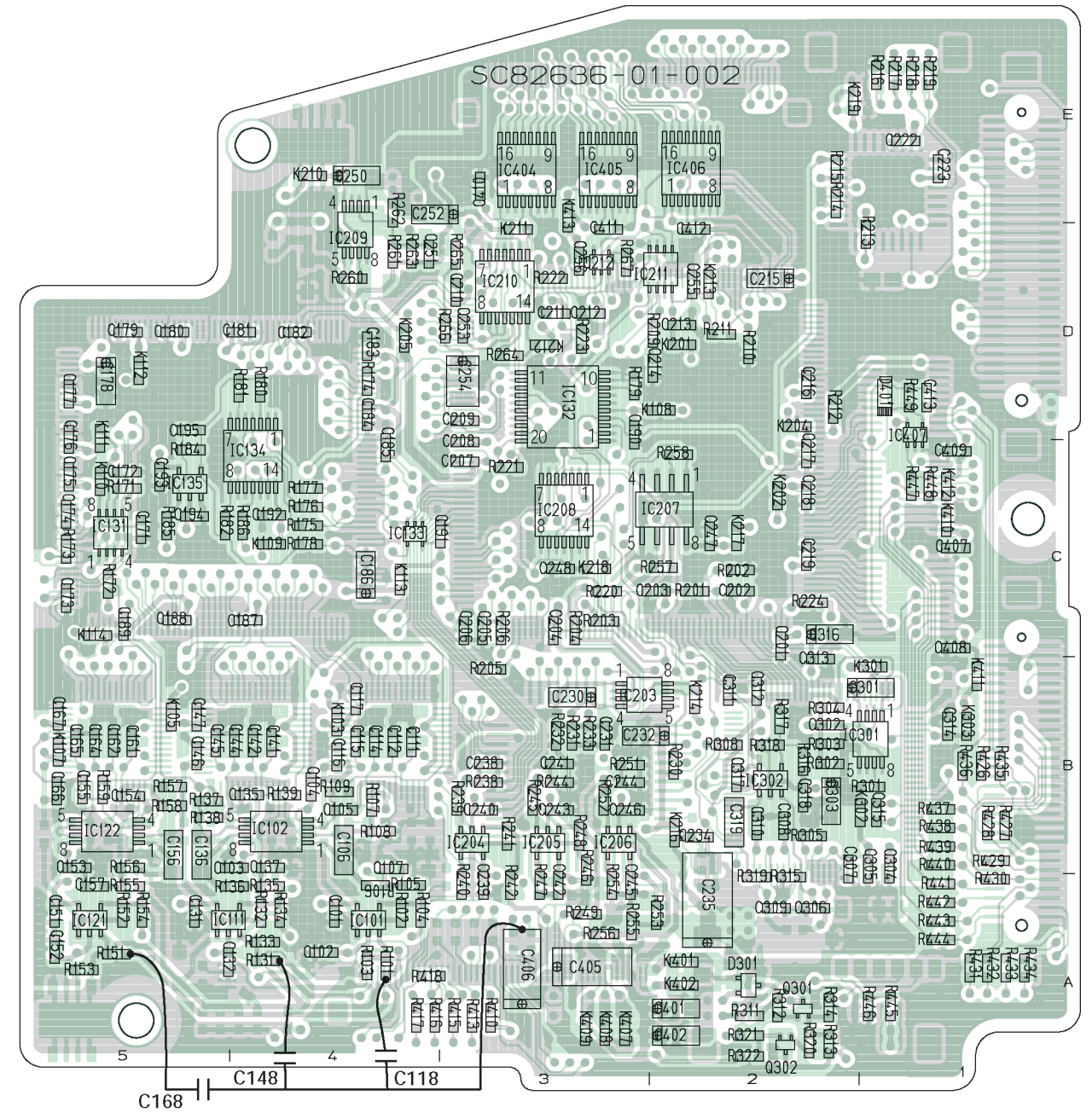
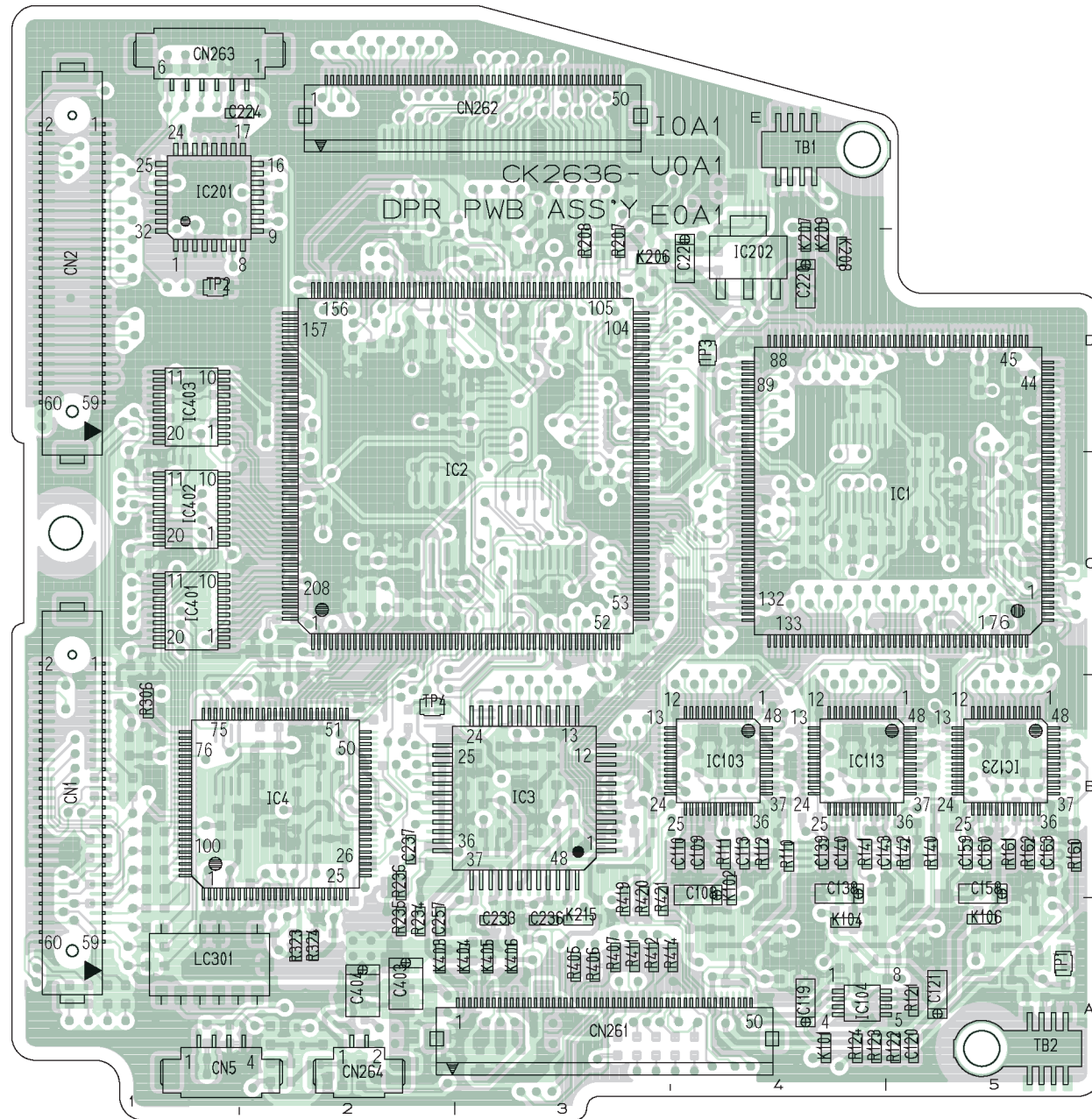
TO  
[3] MT  
CN262  
Page 4-22

4.10 DPR基板部品配置図

4.10 DPR CIRCUIT BOARD

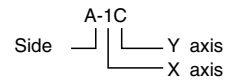
— SIDE A —

— SIDE B —



● 基板上的部品配置アドレス表  
アドレスは1区間の誤差がある場合があります。

● ADDRESS TABLE OF BOARD PARTS  
Each address may have an address error by one interval.

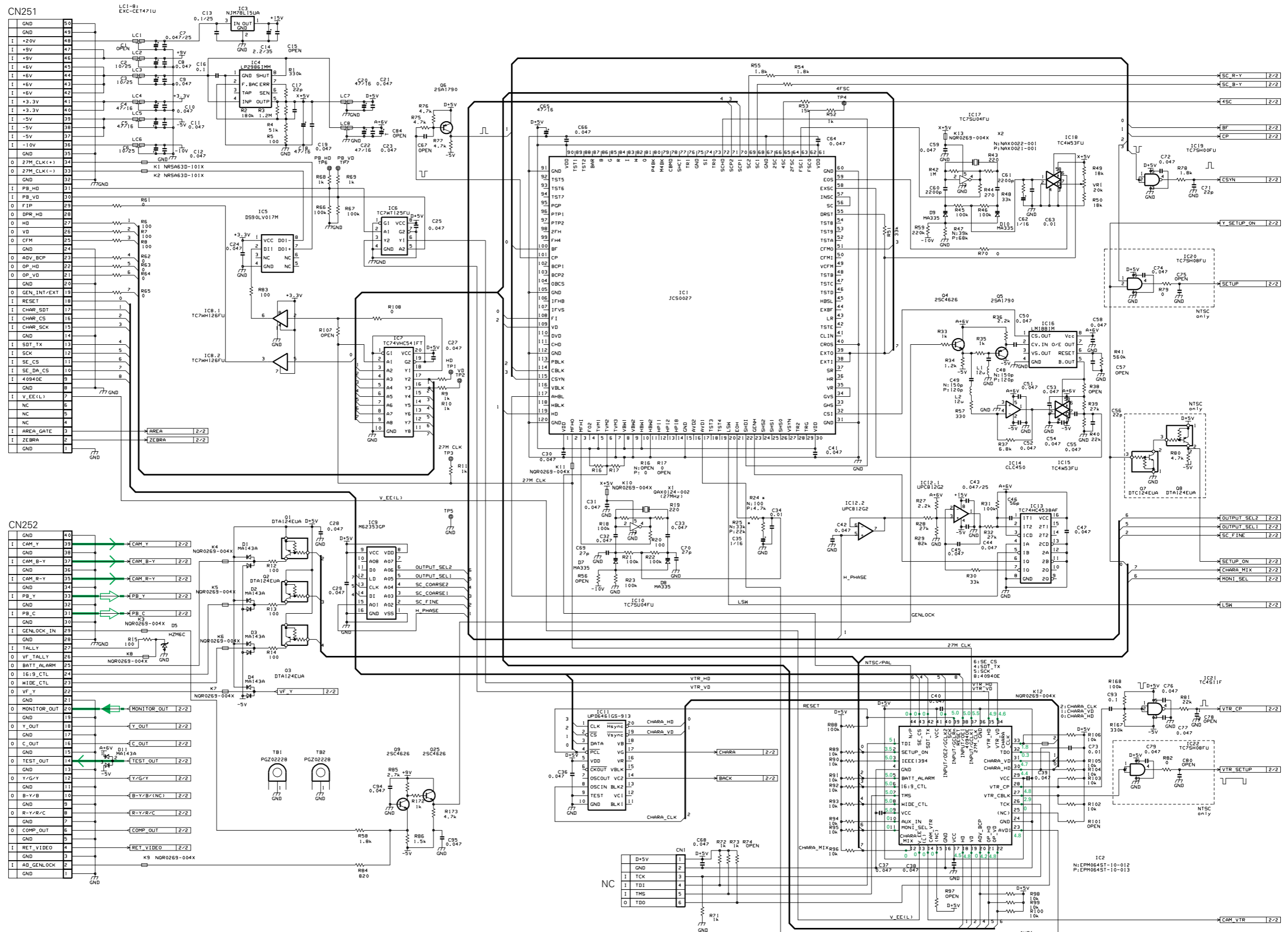


IC1	A-5C	IC204	B-3B	D301	B-2A	R133	B-4A	R162	A-5B	R206	B-3C	R232	B-3B	R256	B-3A	R314	B-2A	R417	B-4A	R442	B-1A	C113	A-4B	C146	B-5B	C173	B-5C	C194	B-5C	C220	A-4D
IC2	A-2C	IC205	B-3B	D401	B-1D	R134	B-4A	R171	B-5C	R207	A-3D	R233	B-3B	R257	B-2C	R315	B-2A	R418	B-3A	R443	B-1A	C114	B-4B	C147	B-5B	C174	B-5C	C195	B-5D	C221	A-4D
IC3	A-3B	IC206	B-3B			R135	B-4A	R172	B-5C	R208	A-3D	R234	A-2A	R258	B-2C	R316	B-2B	R419	A-3A	R444	B-1A	C115	B-4B	C151	B-5A	C175	B-5C	C201	B-2C	C222	B-1E
IC4	A-2B	IC207	B-2C	R101	B-4A	R136	B-4A	R173	B-5C	R209	B-2D	R235	A-2A	R260	B-4D	R317	B-2B	R420	A-3A	R445	B-1A	C116	B-4B	C152	B-5A	C176	B-5C	C202	B-2C	C223	B-1E
IC101	B-4A	IC208	B-3C	R102	B-4A	R137	B-5B	R174	B-4D	R210	B-2D	R236	A-2B	R261	B-4D	R318	B-2B	R421	A-3A	R446	B-1A	C117	B-4B	C153	B-5B	C177	B-5D	C203	B-2C	C224	A-1E
IC102	B-4B	IC209	B-4D	R103	B-4A	R138	B-5B	R175	B-4C	R211	B-2D	R238	B-3B	R262	B-4E	R319	B-2A	R426	B-1B	R447	B-1C	C119	A-4A	C154	B-5B	C178	B-5D	C204	B-3C	C230	B-3B
IC103	A-4B	IC210	B-3D	R104	B-4A	R139	B-4B	R176	B-4C	R212	B-2D	R239	B-3B	R263	B-4D	R320	B-2A	R427	B-1B	R448	B-1C	C120	A-5A	C155	B-5B	C179	B-5D	C205	B-3C	C231	B-3B
IC104	A-4A	IC211	B-2D	R105	B-4A	R140	A-5B	R177	B-4C	R213	B-1D	R240	B-3A	R264	B-3D	R321	B-2A	R428	B-1B	R449	B-1D	C121	A-5A	C156	B-5B	C180	B-5D	C206	B-3C	C232	B-2B
IC111	B-4A	IC212	B-3D	R106	B-4A	R141	A-4B	R178	B-4C	R214	B-2E	R241	B-3B	R265	B-3D	R322	B-2A	R429	B-1B			C131	B-5A	C157	B-5A	C181	B-4D	C207	B-3C	C233	A-3A
IC113	A-4B	IC301	B-1B	R107	B-4B	R142	A-5B	R179	B-3D	R215	B-2E	R242	B-3A	R266	B-3D	R323	A-2A	R430	B-1A	C101	B-4A	C132	B-4A	C158	A-5A	C182	B-4D	C208	B-3C	C234	B-2B
IC121	B-5A	IC302	B-2B	R108	B-4B	R151	B-5A	R180	B-4D	R216	B-1E	R244	B-3B	R267	B-3D	R324	A-2A	R431	B-1A	C102	B-4A	C135	B-4B	C159	A-5B	C183	B-4D	C209	B-3D	C235	B-2A
IC122	B-5B	IC401	A-1C	R109	B-4B	R152	B-5A	R181	B-4D	R217	B-1E	R245	B-3B	R301	B-1B	R405	A-3A	R432	B-1A	C103	B-4B	C136	B-5B	C160	A-5B	C184	B-4D	C210	B-3D	C236	A-3A
IC123	A-5B	IC402	A-1C	R110	A-4B	R153	B-5A	R182	B-4C	R218	B-1E	R246	B-3A	R302	B-2B	R406	A-3A	R433	B-1A	C104	B-4B	C137	B-4B	C161	B-5B	C185	B-4C	C211	B-3D	C237	A-2B
IC131	B-5C	IC403	A-1D	R111	A-4B	R154	B-5A	R184	B-5C	R219	B-1E	R247	B-3A	R303	B-2B	R407	A-3A	R434	B-1A	C105	B-4B	C138	A-4A	C162	B-5B	C186	B-4C	C212	B-3D	C238	B-3B
IC132	B-3D	IC404	B-3E	R112	A-4B	R155	B-5A	R185	B-5C	R220	B-3C	R248	B-3B	R304	B-2B	R410	B-3A	R435	B-1B	C106	B-4B	C139	A-4B	C163	A-5B	C187	B-4C	C213	B-2D	C239	B-3A
IC133	B-4C	IC405	B-3E	R121	A-5A	R156	B-5B	R186	B-4C	R221	B-3C	R249	B-3A	R305	B-2B	R411	A-3A	R436	B-1B	C107	B-4B	C140	A-4B	C164	B-5B	C188	B-5C	C214	B-2D	C240	B-3B
IC134	B-4C	IC406	B-2E	R122	A-4A	R157	B-5B	R201	B-2C	R222	B-3D	R251	B-3B	R306	A-1B	R412	A-3A	R437	B-1B	C108	A-4A	C141	B-4B	C165	B-5B	C189	B-5C	C215	B-2D	C241	B-3B
IC135	B-5C	IC407	B-1D	R123	A-4A	R158	B-5B	R202	B-2C	R223	B-3D	R252	B-3B	R308	B-2B	R413	B-3A	R438	B-1B	C109	A-4B	C142	B-4B	C166	B-5B	C190	B-3D	C216	B-2D	C242	B-3A
IC201	A-1E			R124	A-4A	R159	B-5B	R203	B-3C	R224	B-2C	R253	B-2A	R311	B-2A	R414	A-3A	R439	B-1B	C110	A-3B	C143	A-4B	C167	B-5B	C191	B-3C	C217	B-2C	C243	B-3B
IC202	A-4D	Q301	B-2A	R131	B-4A	R160	A-5B	R204	B-3C	R230	B-2B	R254	B-3A	R312	B-2A	R415	B-3A	R440	B-1B	C111	B-4B	C144	B-4B	C171	B-5C	C192	B-4C	C218	B-2C	C244	B-3B
IC203	B-2B	Q302	B-2A	R132	B-4A	R161	A-5B	R205	B-3B	R231	B-3B	R255	B-3A	R313	B-2A	R416	B-3A	R441	B-1A	C112	B-4B	C145	B-5B	C172	B-5C	C193	B-5C	C219	B-2C	C245	B-3A



4.11 SE基板基準回路図 (1/2) 1 6

4.11 SE SCHEMATIC DIAGRAM (1/2) 1 6



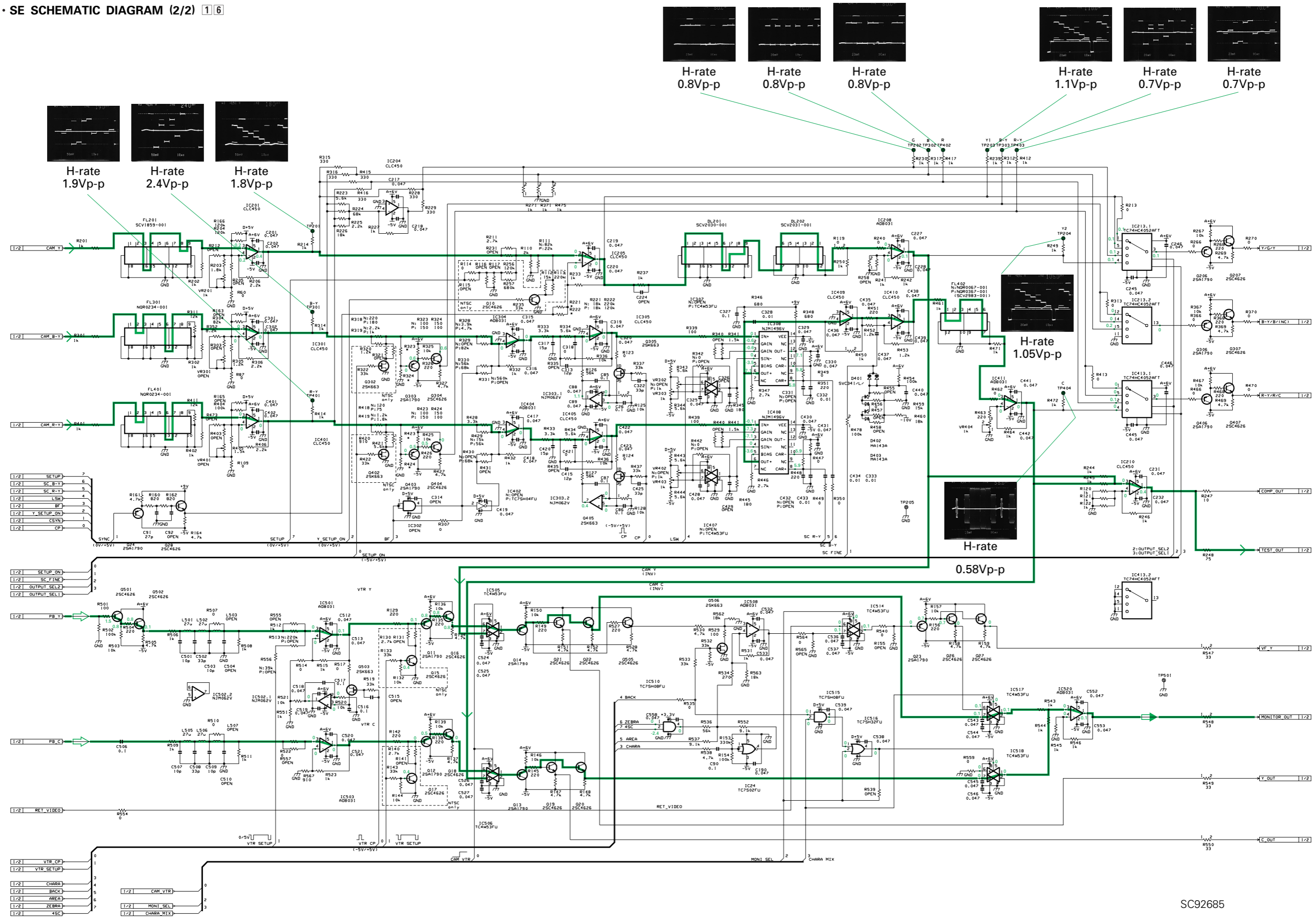
TO 3 4 MT  
CN251  
Page 4-22

TO 3 4 MT  
CN252  
Page 4-22



SE基板基準回路図 (2/2) 1 6

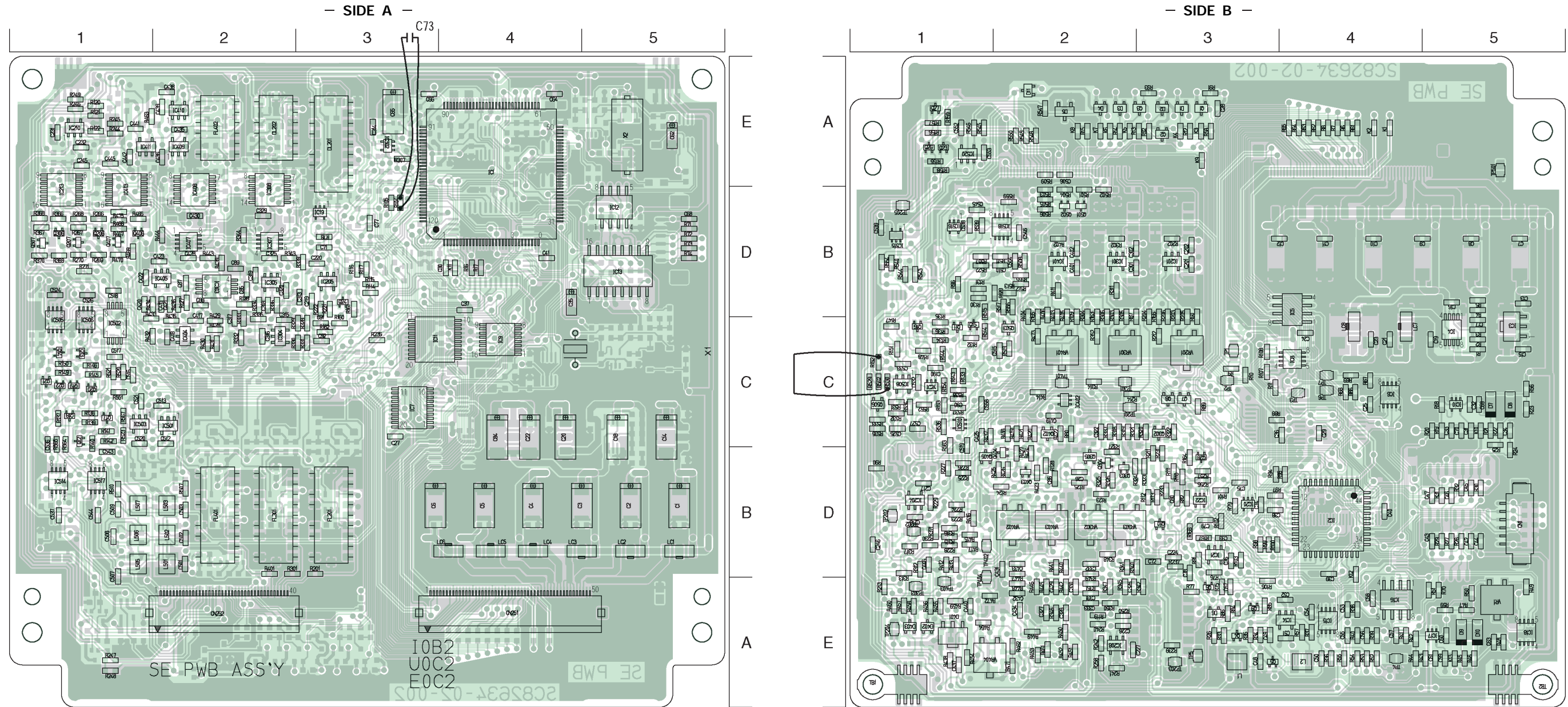
SE SCHEMATIC DIAGRAM (2/2) 1 6



SC92685

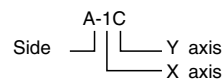
4.12 SE基板部品配置図

4.12 SE CIRCUIT BOARD



- 基板上的部品配置アドレス表  
アドレスは1区間の誤差がある場合があります。

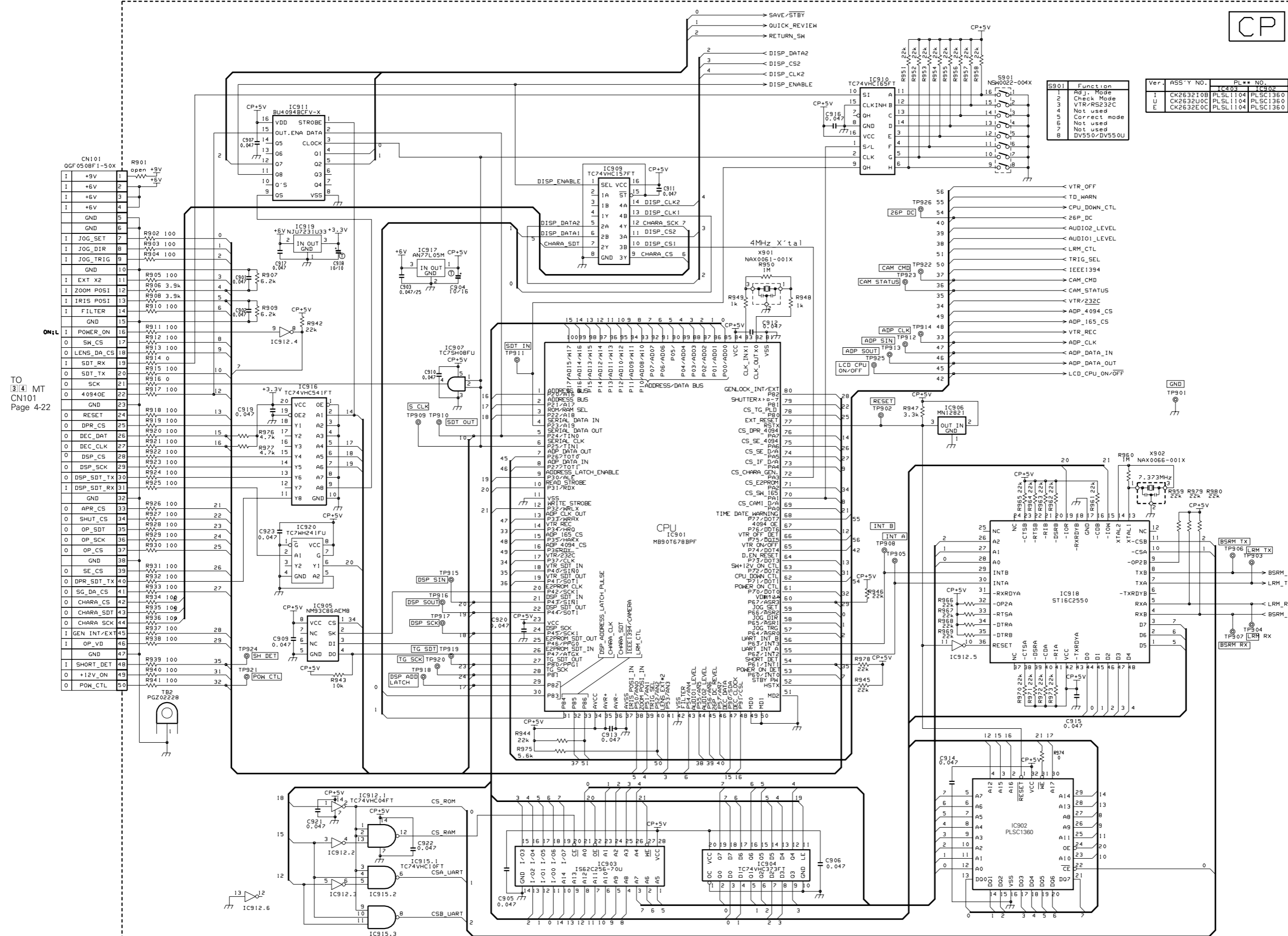
- ADDRESS TABLE OF BOARD PARTS  
Each address may have an address error by one interval.



IC1	A-4E	IC401	B-2B	Q13	A-1C	D3	B-2A	R24	B-5D	R60	B-3C	R97	B-3D	R134	B-1C	R202	B-3B	R258	B-2E	R333	A-2C	R416	B-1D	R453	B-2E	R515	B-1B	R564	A-1C	C23	B-4C	C59	B-5E	C219	A-3D	C421	A-2D	C519	B-1C	TP4	B-4E	LC2	A-5B
IC2	B-4D	IC402	B-2C	Q14	A-1C	D4	B-2A	R25	B-5C	R61	B-4A	R98	B-3D	R135	B-1C	R203	B-3C	R266	A-1D	R334	A-2D	R417	B-1D	R454	B-1E	R517	B-2B	R565	A-1C	C24	B-4C	C60	B-5E	C220	A-3D	C422	A-1D	C520	A-1C	TP5	B-3E	LC3	A-5B
IC3	B-5C	IC404	A-2C	Q15	B-1C	D5	B-2A	R26	B-3E	R62	B-4A	R99	B-3D	R136	B-1C	R204	B-3C	R267	A-1D	R335	A-2C	R418	B-2C	R455	B-1E	R519	B-2C	R567	A-1C	C25	B-4C	C61	B-5E	C224	B-3D	C423	A-2D	C521	A-1C	TP6	B-4C	LC4	A-4B
IC4	B-5C	IC405	A-2D	Q16	B-1C	D6	B-3E	R27	B-5D	R63	B-4A	R100	B-3D	R137	A-1C	R205	B-3C	R268	A-1D	R336	A-2D	R419	B-2C	R456	B-1E	R520	A-1C	C26	B-2D	C62	A-5E	C227	B-2E	C424	B-1C	C524	A-1D	TP7	B-4C	LC5	A-4B		
IC5	B-4B	IC407	A-2D	Q17	A-1C	D7	B-5C	R28	B-5D	R64	B-4A	R101	B-3D	R138	A-1C	R206	B-3C	R269	A-1D	R337	B-2C	R420	B-2C	R457	B-1E	R521	A-1C	VR1	B-5E	C27	A-3C	C63	B-5E	C228	B-2E	C428	A-2D	C525	B-1C	TP201	B-2C	LC6	A-4B
IC6	B-4C	IC408	A-2D	Q18	A-1C	D8	B-5C	R29	B-5D	R65	B-4A	R102	B-3D	R139	A-1C	R211	B-3D	R270	A-1D	R338	A-3D	R421	B-2C	R458	B-1E	R522	B-1B	VR201	B-3C	C28	B-3A	C64	A-4E	C231	A-1E	C429	B-2E	C526	A-1D	TP202	B-1D	LC7	B-4C
IC7	A-3C	IC409	A-2E	Q19	A-1C	D9	B-5E	R30	B-5D	R66	B-4C	R103	B-3D	R140	A-1C	R212	B-3C	R271	A-1D	R340	B-3D	R422	B-2C	R459	B-1E	R523	A-1C	VR301	B-2C	C29	B-4C	C65	A-3E	C232	A-1E	C430	A-2D	C527	B-1C	TP203	B-3E	LC8	B-4C
IC8	B-4C	IC410	A-2E	Q20	A-1C	D10	B-5E	R31	B-5D	R67	B-4C	R104	A-3D	R141	A-1C	R213	B-1E	R301	A-2B	R341	B-2D	R423	B-2C	R460	B-1E	R529	B-1C	VR302	B-2D	C30	A-4D	C66	A-3E	C245	A-1E	C431	B-2D	C532	B-1C	TP204	B-1E	LC9	B-4C
IC9	A-4C	IC411	A-1E	Q21	A-1C	D11	B-2A	R32	B-5D	R68	B-4C	R105	A-3D	R142	A-1C	R214	B-2C	R302	B-2B	R342	B-3E	R424	B-2D	R461	B-2E	R530	B-1C	VR303	B-2C	C31	B-5C	C67	B-3E	C246	B-1D	C432	B-2E	C533	B-1C	TP205	B-1B	CN1	B-5D
IC10	B-5C	IC413	A-1D	Q22	A-1C	D401	B-1E	R33	B-3E	R69	B-4C	R106	B-3E	R143	B-1C	R221	A-3D	R303	B-2C	R343	A-2D	R425	B-2D	R462	B-2E	R531	B-1C	VR401	B-2C	C32	B-5C	C68	A-5D	C301	B-3B	C433	B-2D	C536	A-1C	TP301	B-2C	CN251	A-4A
IC11	A-3C	IC501	A-2C	Q23	B-1A	D402	B-1E	R34	B-3E	R70	B-5E	R107	B-3C	R144	B-1C	R222	A-3D	R304	B-2C	R344	A-2D	R426	B-2D	R463	A-1E	R532	B-1C	VR402	B-2D	C33	B-5C	C69	B-5C	C302	B-3B	C434	B-2E	C537	A-1B	TP302	B-1D	CN252	A-2A
IC12	A-5D	IC502	A-1C	Q24	A-3D	D403	B-1E	R35	B-3E	R71	A-5D	R108	B-3C	R145	A-1C	R223	B-1D	R305	B-2C	R345	B-2E	R427	B-2D	R464	B-1E	R533	B-1C	VR403	B-2D	C34	B-5C	C70	B-5C	C313	A-3D	C435	A-2E	C538	B-1B	TP303	B-1E	LC10	A-4B
IC13	A-5D	IC503	A-1C	Q26	B-1A			R36	B-4E	R72	A-5D	R109	B-2C	R146	A-1C	R224	B-1D	R306	B-2C	R346	B-2E	R428	A-2C	R466	A-1D	R534	B-1C	VR404	B-2D	C35	A-4D	C71	A-5D	C314	A-3E	C436	A-2E	C539	B-1B	TP401	B-2C	FL201	A-3B
IC14	B-4E	IC505	A-1C	Q27	B-1A	R1	B-5C	R37	B-4E	R73	A-5D	R110	B-3D	R147	B-1C	R225	B-1D	R307	A-3E	R347	B-2E	R429	A-2C	R467	A-1D	R535	B-1C	C36	B-4C	C72	B-3D	C315	A-2C	C437	B-1E	C543	A-1B	TP402	B-1D	FL301	A-2B		
IC15	B-4E	IC506	A-1C	Q28	B-3D	R2	B-5C	R38	B-4E	R74	A-5D	R111	B-3D	R148	B-1C	R226	B-1D	R311	B-2B	R348	B-2D	R430	A-2C	R468	A-1D	R536	B-1C	C1	A-5B	C37	A-4D	C74	B-3D	C316	A-2C	C438	A-2E	C544	A-1B	TP403	B-1E	FL401	A-2B
IC16	B-4E	IC508	B-1C	Q206	A-1D	R3	B-5C	R39	B-4E	R75	B-3E	R112	B-3D	R149	A-1C	R227	B-1D	R312	B-1D	R349	B-2D	R431	A-2C	R469	A-1D	R537	B-1C	C2	A-5B	C38	B-3D	C75	B-3D	C317	A-2C	C439	A-2E	C545	B-1B	TP404	B-1E	FL402	A-2E
IC17	B-5E	IC510	B-1C	Q207	A-1D	R4	B-5C	R40	B-4E	R76	B-3D	R113	B-3D	R150	A-1C	R228	B-1D	R313	B-1D	R350	A-2C	R432	A-2C	R470	A-1D	R538	B-1C	C3	A-5B	C39	B-4D	C76	B-3D	C318	A-2D	C440	B-1E	C546	B-2B	TP501	B-5A	LC11	A-5B
IC18	B-5E	IC514	A-1B	Q302	B-3C	R5	B-5B	R41	B-4E	R77	B-3E	R114	A-3D	R151	B-1C	R229	B-1D	R314	B-2C	R351	B-2E	R433	A-1C	R471	B-2E	R539	B-1B	C4	A-4B	C40	B-4D	C77	A-3D	C319	A-2D	C441	A-1E	C552	B-1A	X1	A-4C		
IC19	A-3D	IC515	B-1B	Q303	B-2D	R6	B-4A	R42	B-4E	R78	A-3D	R115	A-3D	R152	B-1C	R230	B-1D	R315	B-1D	R352	B-2C	R434	A-2D	R472	B-1E	R540	B-1B	C5	A-4B	C41	A-4D	C78	B-3D	C320	A-2D	C442	A-1E	C553	B-1A	K1	B-4A		
IC20	B-3D	IC516	B-1B	Q304	B-2D	R7	B-4A	R43	B-5E	R79	B-3D	R116	A-3D	R153	B-1C	R231	B-3D	R316	B-1D	R353	A-1D	R435	A-2C	R473	B-2C	R543	B-1B	C6	A-3B	C42	B-5D	C79	B-3D	C322	B-2C	C445	A-1E	C558	B-1C	K2	B-4A		
IC21	B-3D	IC517	A-1B	Q305	B-2D	R8	B-4A	R44	B-4E	R80	B-2C	R117	A-3D	R154	B-1C	R233	B-3D	R317	B-1D	R367	A-1D	R436	A-2D	R475	A-1D	R544	B-1B	C7	B-5B	C43	B-5D	C80	B-3D	C325	A-2D	C446	B-1D	K3	B-3A				
IC22	B-3D	IC518	B-2B	Q306	A-1D	R9	B-3C	R45	B-5E	R81	B-3D	R119	B-2E	R155	B-1A	R235	A-3C	R318	B-2C	R368	A-1D	R437	B-1C	R478	A-1E	R545	B-1A	C8	B-5B	C44	B-5D	C84	A-4C	C326	B-2E	C501	A-2B	L1	B-3E	K4	B-3A		
IC24	B-1C	IC520	B-1A	Q307	A-1D	R10	B-3C	R46	B-5E	R82	B-3D	R120	A-1E	R156	B-1A	R237	B-3D	R319	B-2C	R369	A-1D	R439	A-2D	R501	B-2B	R546	B-1A	C9	B-5B	C45	B-5D	C85	A-2D	C327	B-2E	C502	A-2C	L2	B-4E	K5	B-2A		
IC201	B-3B			Q402	B-2C	R11	B-3C	R47	B-5E	R84	B-3E	R121	A-1E	R157	B-1A	R239	B-3E	R320	B-3C	R370	A-1D	R440	B-2D	R502	B-2B	R547	B-2B	C10	B-4B	C46	B-5D	C86	B-2D	C328	B-2E	C503	A-2B	L501	A-2B	K6	B-2A		
IC204	B-1D	Q1	B-3A	Q403	B-2D	R12	B-3A	R48	B-5E	R85	B-3E	R122	A-1E	R158	B-1A	R240	B-2E	R321	B-3C	R371	B-1D	R441	B-2D	R503	B-2B	R548	B-2A	C11	B-4B	C47	B-5D	C87	A-2D	C329	A-2D	C504	B-2B	L502	A-2B	K7	B-2A		
IC205	A-3D	Q2	B-3A	Q404	B-2D	R13	B-3A	R49	B-5E	R86	B-3E	R123	B-2D	R159	B-1A	R241	B-2E	R322	B-3C	R372	B-1D	R442	B-2E	R504	B-2B	R549	B-2A	C12	B-4B	C48	B-5C	C88	A-2D	C330	B-2E	C506	B-2A	L503	A-2B	K8	B-2A		
IC208	B-2E	Q3	B-3A	Q405	B-1D	R14	B-2A	R50	B-5E	R87	B-3C	R124	B-2D	R160	A-3C	R242	B-2E	R323	B-3D	R373	B-3D	R443	A-2D	R505	B-2B	R550	B-2A	C13	B-5B	C49	B-3E	C89	A-2D	C331	B-2E	C507	A-1B	L505	A-1B	K9	B-3A		
IC210	A-1E	Q4	B-3E	Q406	A-1D	R15	B-2A	R51	B-5E	R88	B-3C	R125	B-2D	R161	A-3D	R244	A-1E	R324	B-2D	R374	B-2D	R444	A-2D	R506	B-2B	R551	A-1C	C14	A-5C	C50	B-4E	C90	B-1C	C332	B-2D	C508	A-1B	L506	A-1B	K10	B-5C		
IC213	A-1D	Q5	B-3E	Q407	A-1D	R16	A-4D	R52	B-4E	R89	B-3C	R126	A-2D	R162	A-3C	R245	A-1E	R325	B-2D	R403	B-2C	R445	A-2E	R507	A-2B	R552	B-1C	C15	B-5C	C51	B-4E	C91	A-3C	C333	B-2E	C509	A-1B	L507	A-1B	K11	A-4D		
IC301	B-2B	Q6	B-3E	Q501	B-2B	R17	A-4D	R53	B-4E	R90	B-1D	R127	A-2D	R163	B-2C	R246	A-1E	R326	B-2D	R405	B-2C	R446	B-2E	R508	B-2B	R554	B-1B	C16	B-5B	C52	B-4E	C92	A-3D	C401	B-2B	C510	B-2B	K12	B-4D				
IC302	A-3E	Q7	B-3C	Q502	B-2B	R18	B-3E	R54	B-4E	R91	B-3A	R128	B-2D	R164	B-3D	R247	A-1A	R327	B-2D	R406	B-2B	R447	B-2E	R509	B-2A	R555	B-2B	C17	B-5C	C53	B-4E	C93	B-3D	C402	B-2B	C512	A-2C	DL201	A-3E	K13	B-5E		
IC303	A-2D	Q8	B-3C	Q503	B-2C	R19	B-5C	R55	B-4E	R92	B-3A	R129	B-2B	R165	B-2C	R248	A-1A	R328	A-3C	R411	B-2B	R448	B-2E	R510	A-1B	R556	B-2B	C18	A-5C	C54	B-4E	C190	B-1C	C415	A-2D	C513	A-2C	DL202	A-2E	LB1	B-1E		
IC304	A-2C	Q9	B-3E	Q506	B-1C	R20	B-5C	R56	B-4E	R93	B-3A	R130	B-1B	R166	B-3C	R249	A-1E	R329	A-3C	R412	B-1D	R449	B-2E	R511	B-2B	R557	B-1B	C19	B-5C	C55	B-4E	C201	B-3B	C417	A-2C	C515	B-2C	TB1	B-1E				
IC305	A-2D	Q10	B-3D			R21	B-5C	R57	B-4E	R94	B-3D	R131	B-1B	R167	B-3D	R250	B-2E	R330	A-3C	R413	B-1D	R450	B-2E	R512	B-2B	R559	B-2B	C20	A-4C	C56	B-4E	C202	B-3B	C418	A-2C	C516	A-1C	TP1	B-3C	TB2	B-5E		
IC307	A-2D	Q11	B-1C	D1	B-3A	R22	B-5C	R58	B-3A	R95	B-4D	R132	B-1C	R168	B-3D	R256	B-3D	R331	A-3C	R414	B-2C	R451	B-2E	R513	B-2B	R562	B-1C	C21	B-4C	C57	B-4E	C217	B-1D	C419	B-2C	C517	A-1C	TP2	B-3C	LC			

4.13 SS/CP基板基準回路図 (1/2) 3 1

4.13 SS/CP SCHEMATIC DIAGRAM (1/2) 3 1



TO 3[4] MT CN101 Page 4-22

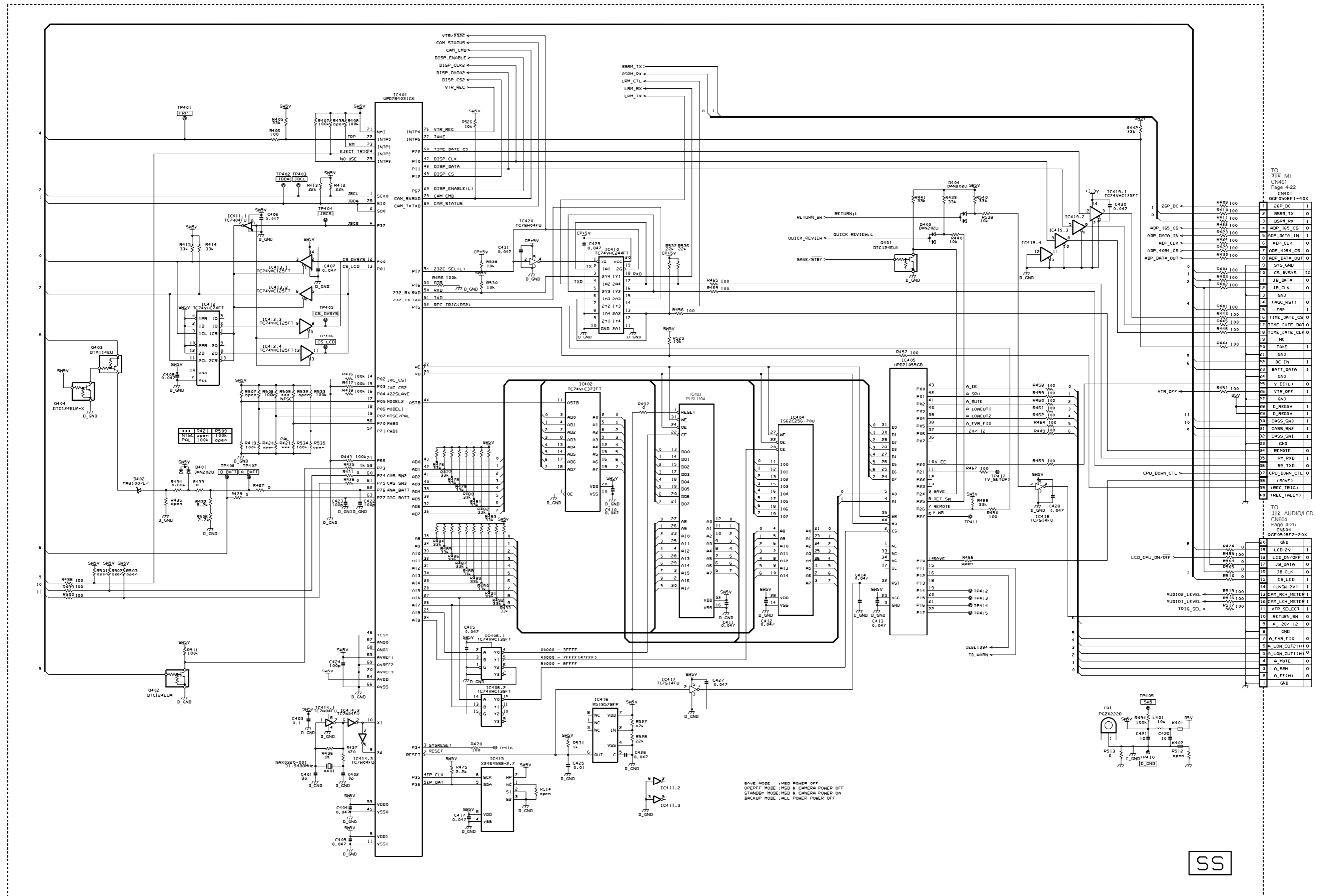
CP

Ver.	ASS'Y NO.	PL** NO.
I	CK263210B	PLSL1104 PLSC1360
U	CK2632U0C	PLSL1104 PLSC1360
E	CK2632E0C	PLSL1104 PLSC1360

S901	Function
1	Adj. Mode
2	Check Mode
3	VTR-RS232C
4	Not used
5	Correct mode
6	Not used
7	Not used
8	DV550/DV550U

• SS/CP基板基準回路図 (2/2) 3 1

• SS/CP SCHEMATIC DIAGRAM (2/2) 3 1



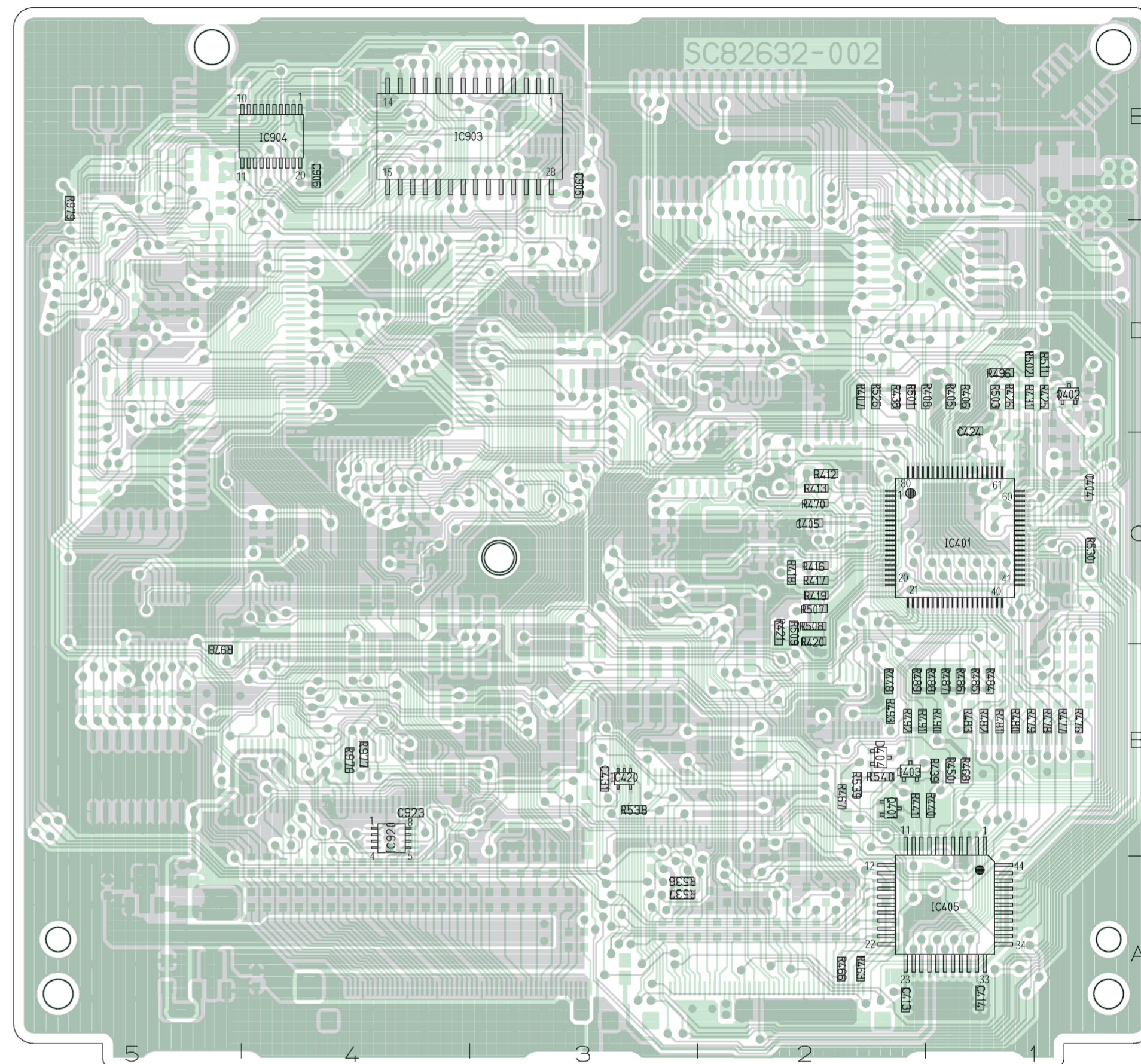
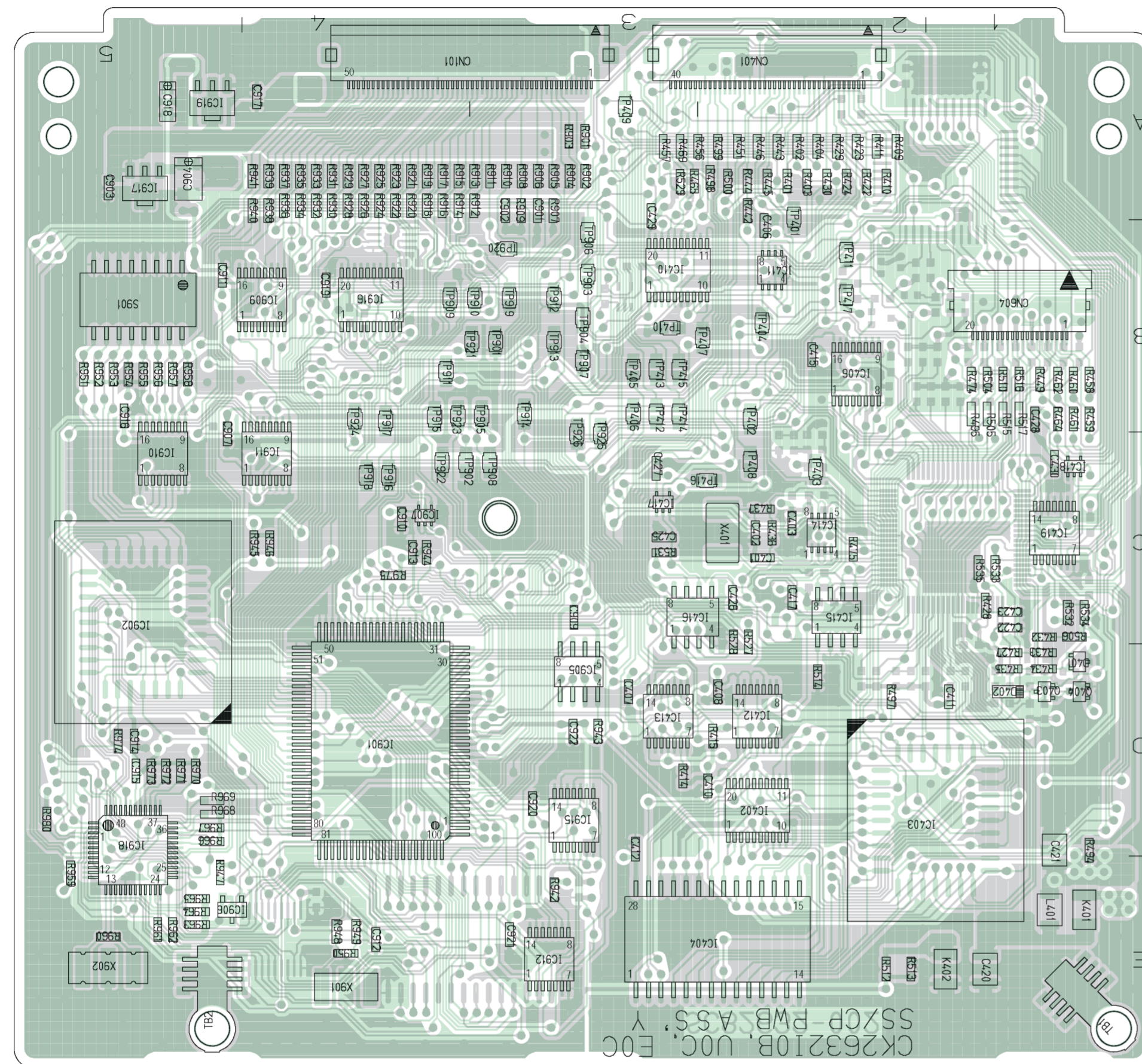
SS

4.14 SS/CP基板部品配置図

4.14 SS/CP CIRCUIT BOARD

- SIDE A -

- SIDE B -



● 基板の部品配置アドレス表  
アドレスは1区間の誤差がある場合があります。

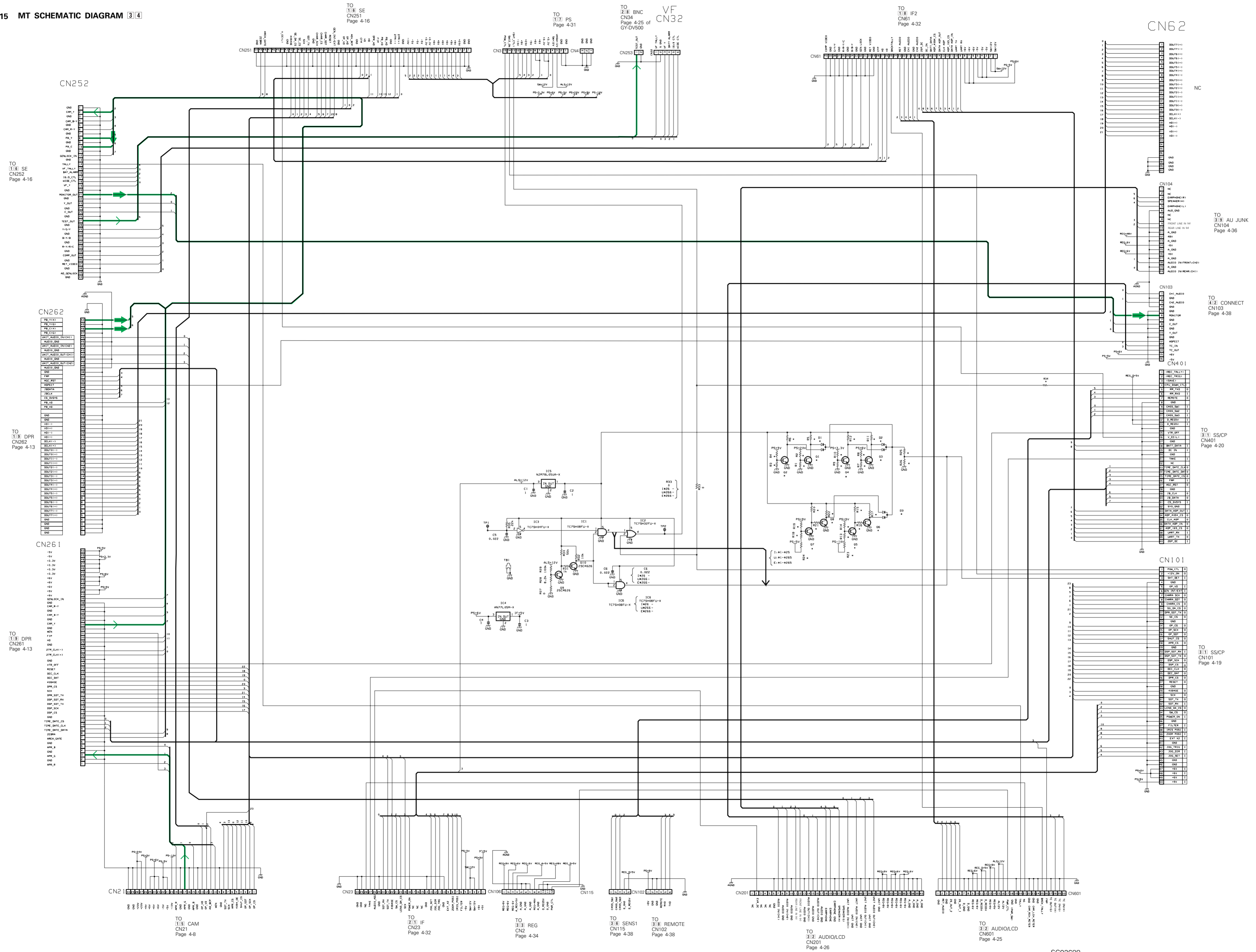
● ADDRESS TABLE OF BOARD PARTS  
Each address may have an address error by one interval.



IC401	B-1C	IC912	A-3E	R410	A-2A	R437	A-2C	R469	A-3A	R499	A-2A	R534	A-1C	R921	A-4A	R948	A-4E	R975	A-4C	C425	A-3C	C922	A-3D	TP906	A-3B	X401	A-2C
IC402	A-2D	IC915	A-3D	R411	A-2A	R438	B-2D	R470	B-2C	R500	A-2A	R535	A-1C	R922	A-4A	R949	A-4E	R976	B-4B	C426	A-2C	C923	B-4B	TP907	A-3B	X901	A-4E
IC403	A-1D	IC916	A-4B	R412	B-2C	R439	B-1B	R474	A-1B	R501	B-2D	R536	B-3A	R923	A-4A	R950	A-4E	R977	B-4B	C427	A-3C			TP908	A-3C	X902	A-5E
IC404	A-2E	IC917	A-5A	R413	B-2C	R440	B-1B	R475	A-2C	R502	B-1D	R537	B-3A	R924	A-4A	R951	A-5B	R978	B-5C	C428	A-1B	L401	A-1E	TP909	A-4B		
IC405	B-1A	IC918	A-5E	R414	A-3D	R441	B-2B	R476	B-1B	R503	B-1D	R538	B-3B	R925	A-4A	R952	A-5B	R979	B-5E	C429	A-3B			TP910	A-3B	K401	A-1E
IC406	A-2B	IC919	A-5A	R415	A-2D	R442	A-2A	R477	B-1B	R504	A-1B	R539	B-2B	R926	A-4A	R953	A-5B	R980	A-5D	C430	A-1C	TP401	A-2B	TP911	A-4B	K402	A-1E
IC410	A-3B	IC920	B-4B	R416	B-2C	R443	A-2A	R478	B-1B	R505	A-1B	R540	B-2B	R927	A-4A	R954	A-5B			C431	B-3B	TP402	A-2B	TP912	A-3B		
IC411	A-2B			R417	B-2C	R444	A-2A	R479	B-1B	R506	A-1D	R901	A-3A	R928	A-4A	R955	A-5B	C401	A-2C	C901	A-3A	TP403	A-2C	TP913	A-3B	TB1	A-1F
IC412	A-2D	Q401	B-2B	R418	B-2C	R445	A-2A	R480	B-1B	R507	B-2C	R902	A-3A	R929	A-4A	R956	A-5B	C402	A-2C	C902	A-3A	TP404	A-2B	TP914	A-3B	TB2	A-5F
IC413	A-3D	Q402	B-1D	R419	B-2C	R446	A-2A	R481	B-1B	R508	B-2C	R903	A-3A	R930	A-4A	R957	A-5B	C403	A-2C	C903	A-5A	TP405	A-3B	TP915	A-4B		
IC414	A-2C	Q403	A-1D	R420	B-2C	R448	B-2B	R482	B-1B	R509	B-2C	R904	A-3A	R931	A-4A	R958	A-5B	C404	B-1C	C904	A-5A	TP406	A-3B	TP916	A-4C		
IC415	A-2C	Q404	A-1D	R421	B-2C	R449	A-1B	R483	B-1B	R510	A-1B	R905	A-3A	R932	A-4A	R959	A-5E	C405	B-2C	C905	B-3E	TP407	A-2B	TP917	A-4B		
IC416	A-3C			R422	A-2A	R450	B-1B	R484	B-1B	R511	B-1D	R906	A-3A	R933	A-4A	R960	A-5E	C406	A-2B	C906	B-4E	TP408	A-2C	TP918	A-4C		
IC417	A-3C	D401	A-1D	R423	A-2A	R451	A-2A	R485	B-1B	R512	A-2E	R907	A-3A	R934	A-4A	R961	A-5E	C407	A-3D	C907	A-5C	TP409	A-3A	TP919	A-3B		
IC418	A-1C	D402	A-1D	R424	A-2A	R456	A-3A	R486	B-1B	R513	A-2E	R908	A-3A	R935	A-4A	R962	A-5E	C408	A-2D	C909	A-3C	TP410	A-3B	TP920	A-3B		
IC419	A-1C	D403	B-2B	R425	B-1D	R457	A-3A	R487	B-1B	R514	A-2D	R909	A-3A	R936	A-4A	R963	A-5E	C410	A-2D	C910	A-4C	TP411	A-2B	TP921	A-3B		
IC420	B-3B	D404	B-2B	R426	B-1D	R458	A-1B	R488	B-1B	R515	A-1B	R910	A-3A	R937	A-4A	R964	A-5E	C411	A-1D	C911	A-5B	TP412	A-3B	TP922	A-4C		
IC901	A-4D			R427	A-1D	R459	A-1B	R489	B-2B	R516	A-1B	R911	A-3A	R938	A-4A	R965	A-5E	C412	A-3E	C912	A-4E	TP413	A-3B	TP923	A-4B		
IC902	A-5D	R401	A-2A	R428	A-1C	R460	A-1B	R490	B-1B	R517	A-1B	R912	A-3A	R939	A-4A	R966	A-5E	C413	B-2A	C913	A-4C	TP414	A-3B	TP924	A-4B		
IC903	B-4E	R402	A-2A	R429	A-2A	R461	A-1B	R491	B-2B	R526	B-2D	R913	A-3A	R940	A-4A	R967	A-5D	C414	B-1A	C914	A-5D	TP415	A-3B	TP925	A-3C		
IC904	B-4E	R403	A-2A	R430	A-2A	R462	A-1B	R492	B-2B	R527	A-2D	R914	A-4A	R941	A-4A	R968	A-5D	C415	A-2B	C915	A-5D	TP416	A-2C	TP926	A-3C		
IC905	A-2D	R404	A-2A	R431	B-1D	R463	B-2A	R493	B-2B	R528	A-2D	R915	A-4A	R942	A-3E	R969	A-5D	C417	A-2C	C916	A-5B	TP417	A-2B				
IC906	A-5E	R405	B-1D	R432	A-1D	R464	A-1B	R494	A-1E	R529	A-3A	R916	A-4A	R943	A-3D	R970	A-5D	C420	A-1E	C917	A-4A	TP901	A-3B	CN101	A-4A		
IC907	A-4C	R406	B-1D	R433	A-1D	R465	A-3A	R495	A-1B	R530	B-1C	R917	A-4A	R944	A-4C	R971	A-5D	C421	A-1E	C918	A-5A	TP902	A-4C	CN401	A-2A		
IC909	A-4B	R407	B-2D	R434	A-1D	R466	B-2A	R496	B-1D	R531	A-3C	R918	A-4A	R945	A-4C	R972	A-5D	C422	A-1D	C919	A-4B	TP903	A-3B	CN604	A-1B		
IC910	A-5C	R408	B-2D	R435	A-1D	R467	B-2B	R497	A-2D	R532	A-1C	R919	A-4A	R946	A-4C	R973	A-5D	C423	A-1C	C920	A-3D	TP904	A-3B				
IC911	A-4C	R409	A-2A	R436	A-2C	R468	B-1B	R498	A-2A	R533	A-1C	R920	A-4A	R947	A-5E	R974	A-5D	C424	B-1D	C921	A-3E	TP905	A-3B	SS901	A-5B		

4.15 MT基板基準回路図 3 4

4.15 MT SCHEMATIC DIAGRAM 3 4

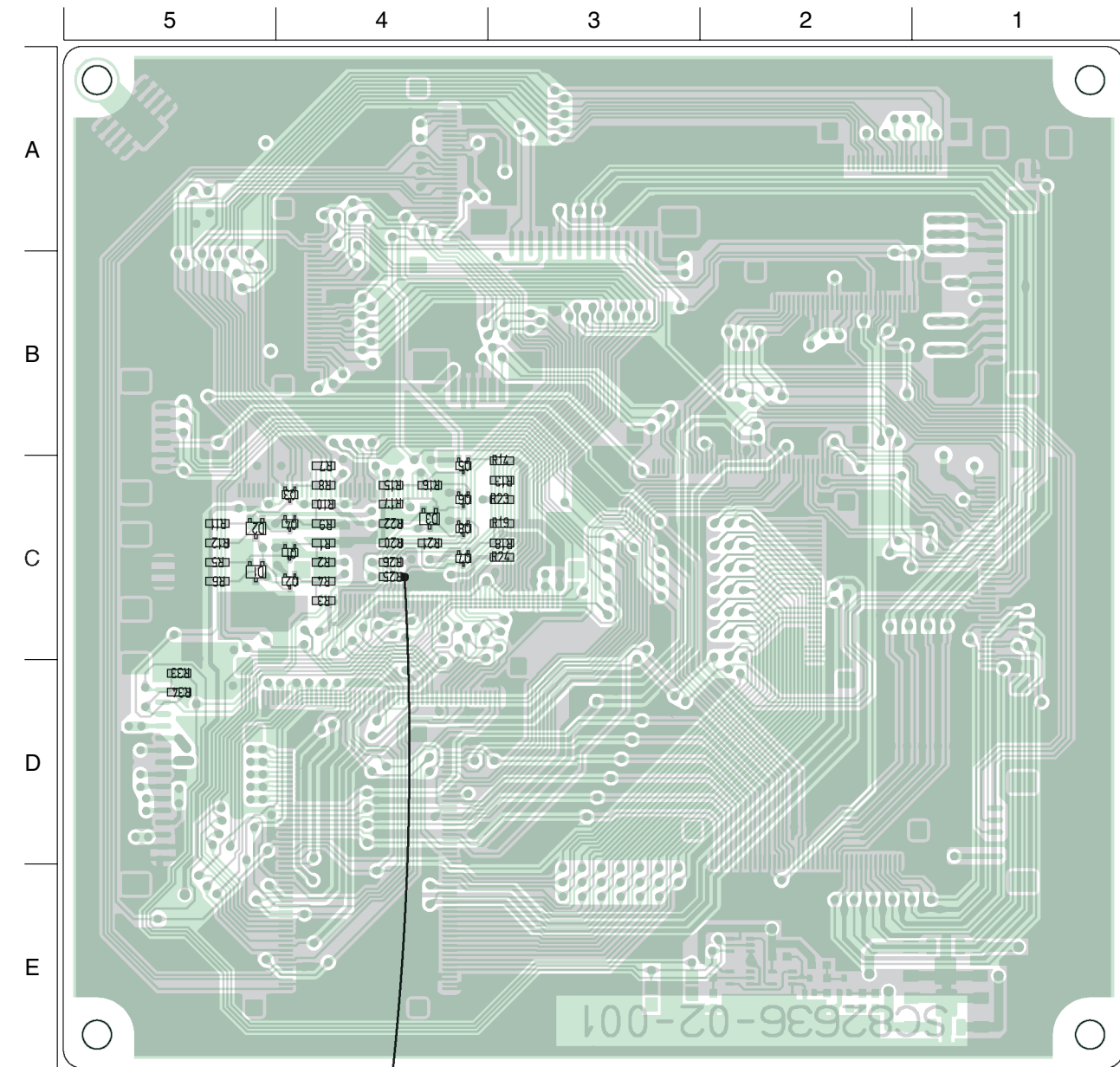
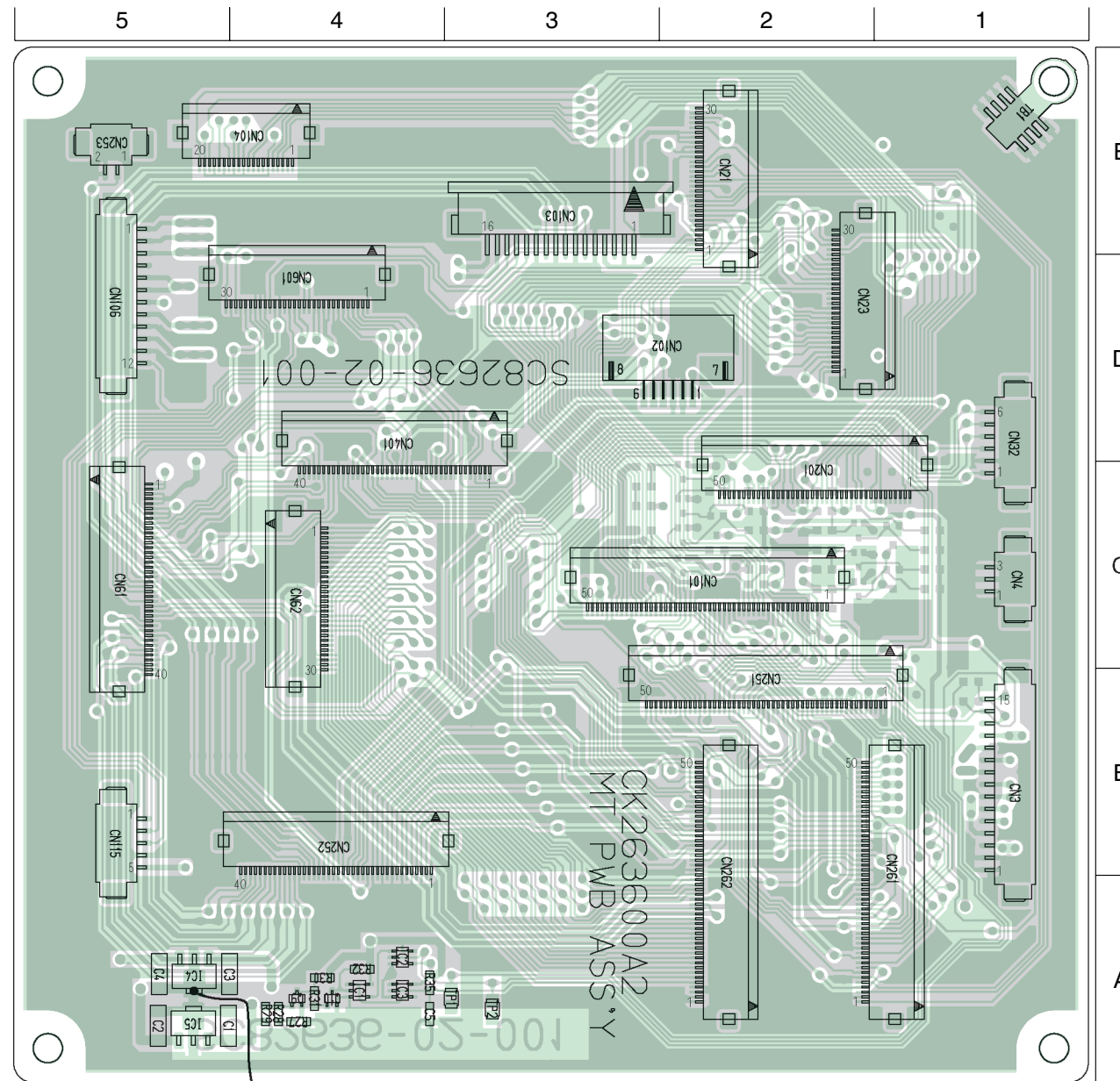


4.16 MT基板部品配置図

4.16 MT CIRCUIT BOARD

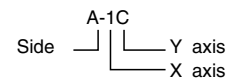
-- SIDE A --

-- SIDE B --



● 基板の部品配置アドレス表  
アドレスは1区間の誤差があります。

● ADDRESS TABLE OF BOARD PARTS  
Each address may have an address error by one interval.



IC1	A-4E	D3	B-2C	R18	B-3C	C1	A-5E	CN102	A-3B
IC2	A-4E			R19	B-3C	C2	A-5E	CN103	A-3A
IC3	A-4E	R1	B-2C	R20	B-2C	C3	A-5E	CN104	A-5A
IC4	A-5E	R2	B-2C	R21	B-2C	C4	A-5E	CN106	A-5B
IC5	A-5E	R3	B-2C	R22	B-2C	C5	A-4E	CN115	A-5D
		R4	B-2C	R23	B-3C			CN201	A-2B
Q1	B-2C	R5	B-1C	R24	B-3C	TP1	A-4E	CN251	A-2C
Q2	B-2C	R6	B-1C	R25	B-2C	TP2	A-3E	CN252	A-4D
Q3	B-2C	R7	B-2B	R26	B-2C			CN253	A-5A
Q4	B-2C	R8	B-2C	R27	A-4E	TB1	A-1A	CN261	A-1D
Q5	B-2B	R9	B-2C	R28	A-4E			CN262	A-2D
Q6	B-2C	R10	B-2C	R29	A-4E	CN3	A-1D	CN401	A-4B
Q7	B-2C	R11	B-1C	R30	A-4E	CN4	A-1C	CN601	A-4B
Q8	B-2C	R12	B-1C	R31	A-4E	CN21	A-2A		
Q9	A-4E	R13	B-3C	R32	A-4E	CN23	A-2B		
Q10	A-4E	R14	B-3B	R33	B-1C	CN32	A-1B		
		R15	B-2C	R34	B-1D	CN61	A-5C		
D1	B-1C	R16	B-2C	R35	A-4E	CN62	A-4C		
D2	B-1C	R17	B-2C			CN101	A-2C		